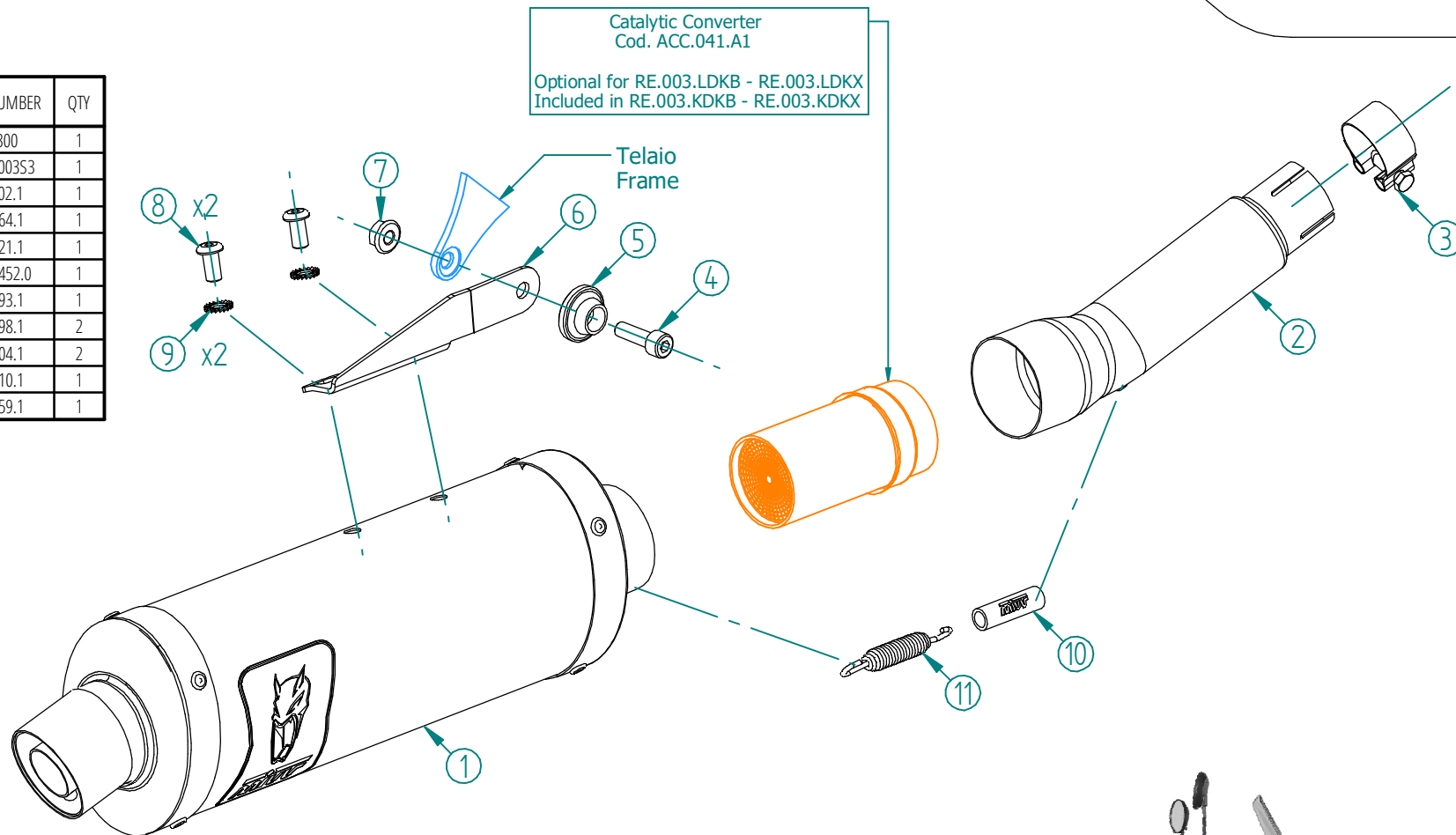
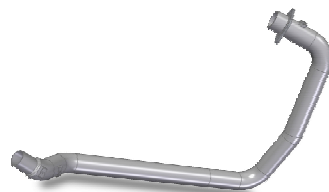


#	DESCRIPTION	PART NUMBER	QTY
1	Silenziatore / Muffler db killer 50.DK.186.0	DAKAR 300	1
2	Tubo di raccordo / Link pipe	9773RE003S3	1
3	Fascetta Ø 36/39 mm / Pipe clamp Ø 36/39 mm	50.FA.002.1	1
4	Vite M8x25 / Screw M8x25	50.73.064.1	1
5	Rondella in alluminio nera / Black aluminium washer	50.73.221.1	1
6	Staffa / Bracket	50.SS.1452.0	1
7	Dado M8 flangiato / Flanged nut M8	50.73.393.1	1
8	Vite M8 x 16 / Screw M8 x 16	50.73.098.1	2
9	Rondella di sicurezza / Safety washer	50.73.604.1	2
10	Tubo in gomma per molla / Rubber pipe for spring	50.73.210.1	1
11	Molla media / Mid-size spring	50.73.359.1	1



Catalytic Converter
Cod. ACC.041.A1
Optional for RE.003.LDKB - RE.003.LDKX
Included in RE.003.KDKB - RE.003.KDKX

OPTIONAL PARTS



Tubo no kat - No kat pipe
RE.001.C1

Compatibile con silenziatori MIVV e scarico originale.
Compatible with both MIVV and original silencer.

APPLICAZIONI / APPLICATIONS			
CODICE / CODE	SILENZIATORE / MUFFLER	NOTE	TUBO / PIPE
RE.003.LDKB	INOX NERO / STEEL BLACK	CATALYTIC CONVERTER NOT INCLUDED	INOX / ST. STEEL
RE.003.LDKX	INOX / ST. STEEL		
RE.003.KDKB	INOX NERO / STEEL BLACK	CATALYTIC CONVERTER INCLUDED	
RE.003.KDKX	INOX / ST. STEEL		

