



MODEL BENELLI TRK 502 X

YEAR 2018 -->

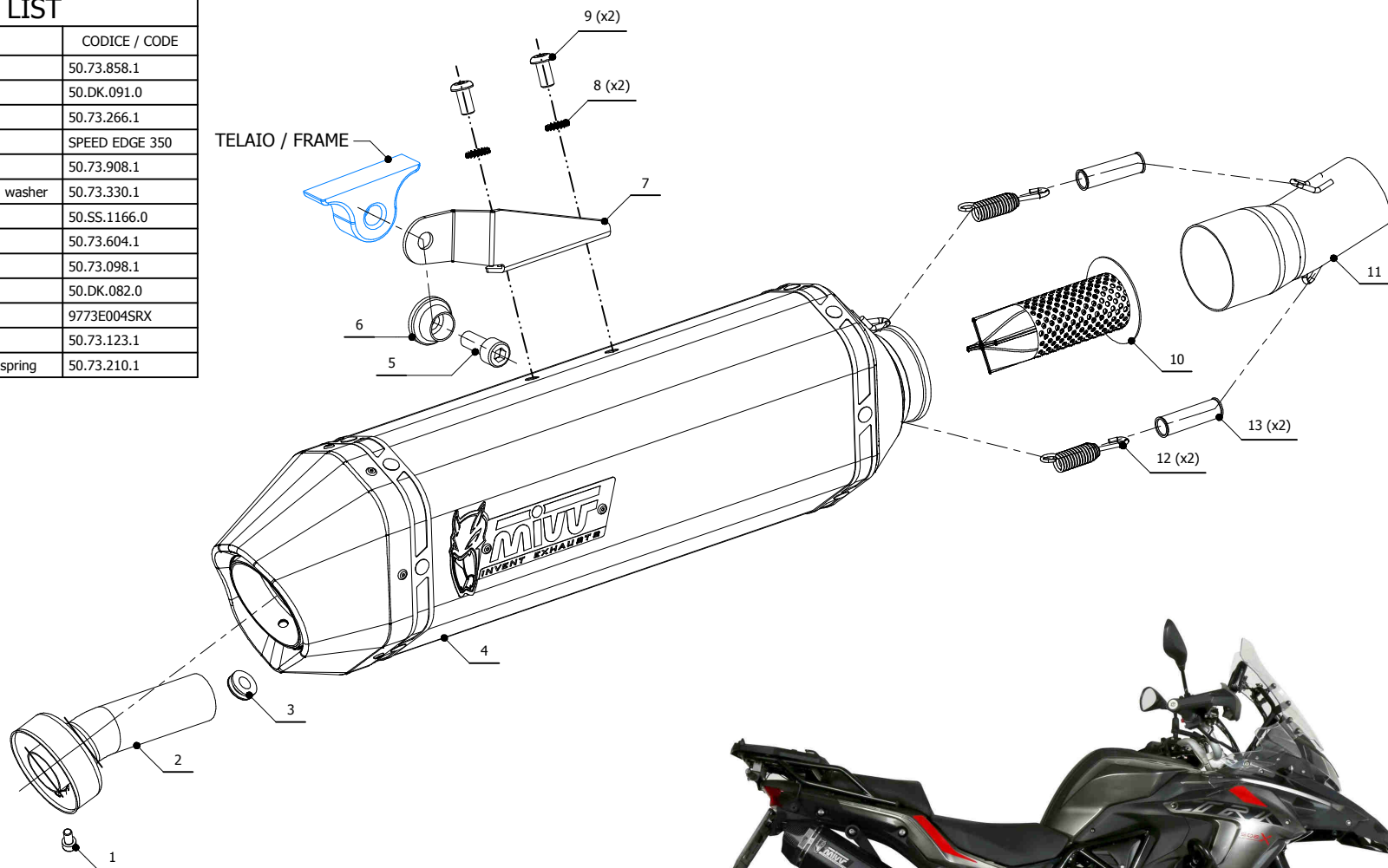
LINE SLIP ON

MUFFLER SPEED EDGE

SCHEMATIC

ELENCO PARTI / PARTS LIST

#	QTÀ / QTY	DESCRIZIONE / DESCRIPTION	CODICE / CODE
1	1	Vite M5 x 10 / Screw M5 x 10	50.73.858.1
2	1	DB killer / DB killer	50.DK.091.0
3	1	Tappo in gomma / Rubber stopper	50.73.266.1
4	1	Silenziatore / Muffler	SPEED EDGE 350
5	1	Vite M10x25 / Screw M10x25	50.73.908.1
6	1	Rondella in alluminio nera / Black aluminium washer	50.73.330.1
7	1	Staffa / Bracket	50.SS.1166.0
8	2	Rondella di sicurezza / Safety washer	50.73.604.1
9	2	Vite M8 x 16 / Screw M8 x 16	50.73.098.1
10	1	Db Killer forato / Drilled DB killer	50.DK.082.0
11	1	Tubo di raccordo / Link pipe	9773E004SRX
12	2	Molla corta / Short Spring	50.73.123.1
13	2	Tubo in gomma per molla / Rubber pipe for spring	50.73.210.1



APPLICAZIONI / APPLICATIONS

CODICE / CODE	SILENZIATORE / MUFFLER	TUBO / PIPE
E.004.LRX	INOX (COPPE CARBONIO) / ST. STEEL (CARBON CAPS)	INOX / ST. STEEL
E.004.LRB	STEEL BLACK	