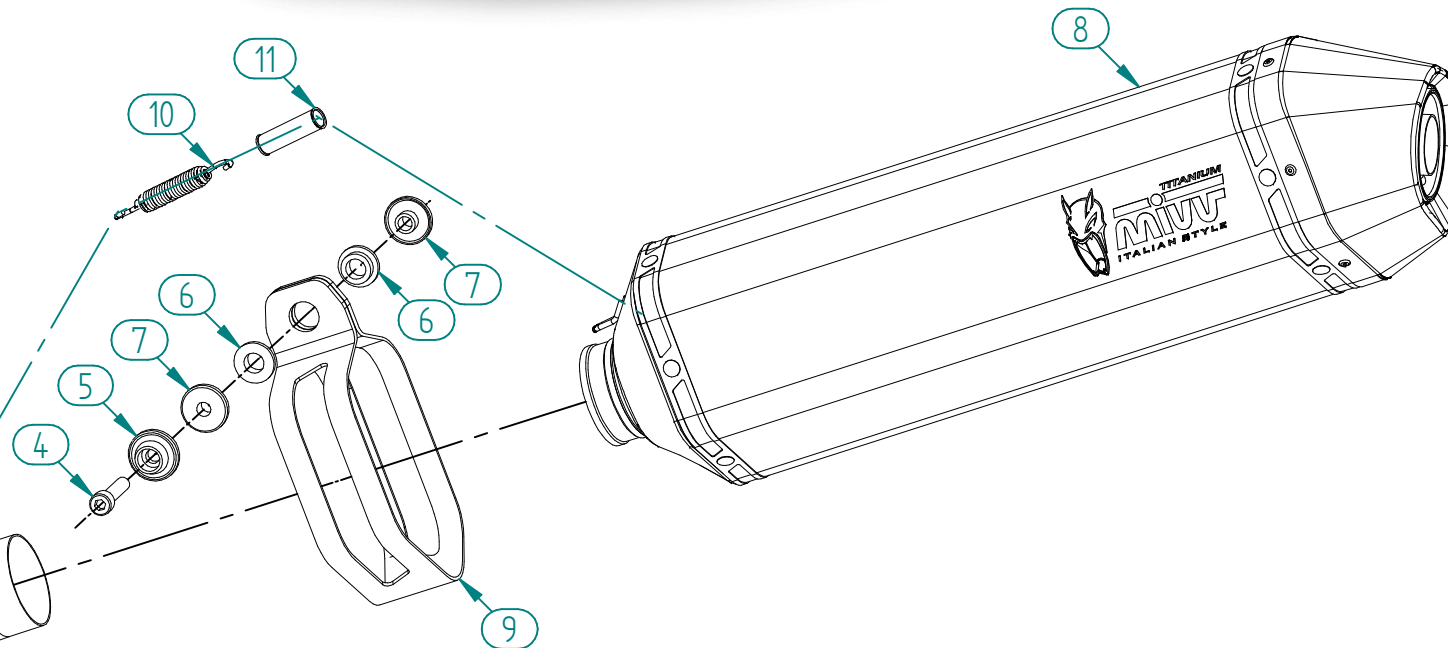
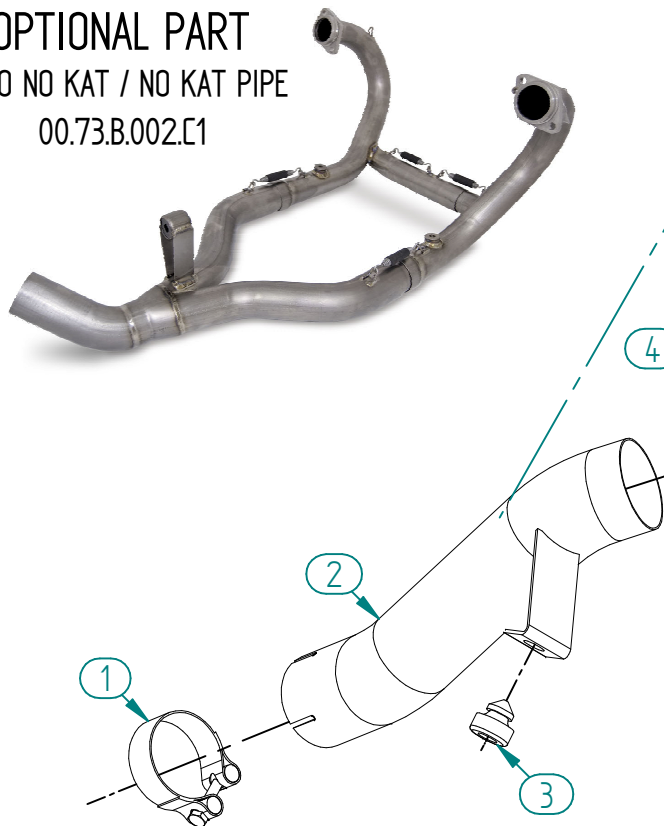


#	DESCRIPTION	PART NUMBER	QTY
1	Fascetta Ø 52/55 mm / Pipe clamp Ø 52/55 mm	50.FA.008.1	1
2	Tubo di raccordo / Link pipe	9773B002SN	1
3	Gommino paracolpi / Rubber bumper	50.72.010.1	1
4	Vite M8x40 / Screw M8x40	50.73.075.1	1
5	Rondella in alluminio nera / Black aluminium washer	50.73.221.1	1
6	Silentblock / Silentblock	50.73.380.1	2
7	Boccola / Bush	50.73.381.1	2
8	Silenziatore / Muffler	SPEED EDGE 400	1
9	Staffa in carbonio / Carbon fiber bracket	50.SS.814.1	1
10	Molla lunga / Long spring	50.71.080.1	1
11	Gommino per molla / Rubber pipe	50.73.210.1	1
-	Tappo in gomma / Rubber stopper	50.73.266.1	1
-	DB killer / DB killer	50.DK.068.0	1



OPTIONAL PART
TUBO NO KAT / NO KAT PIPE
00.73.B.002.C1



APPLICAZIONI / APPLICATIONS			
CODICE / CODE	SILENZIATORE / MUFFLER	TUBO / PIPE	FASCETTA / BRACKET
B.002.LGS	TITANIO / TITANIUM	INOX / ST. STEEL	CARBONIO / CARBON FIBER