



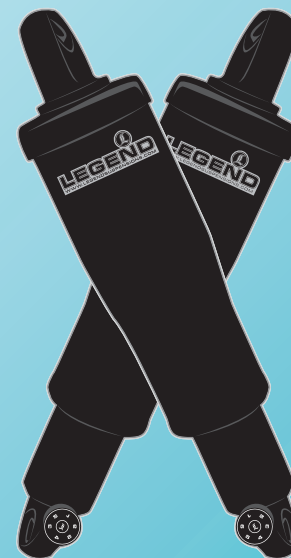
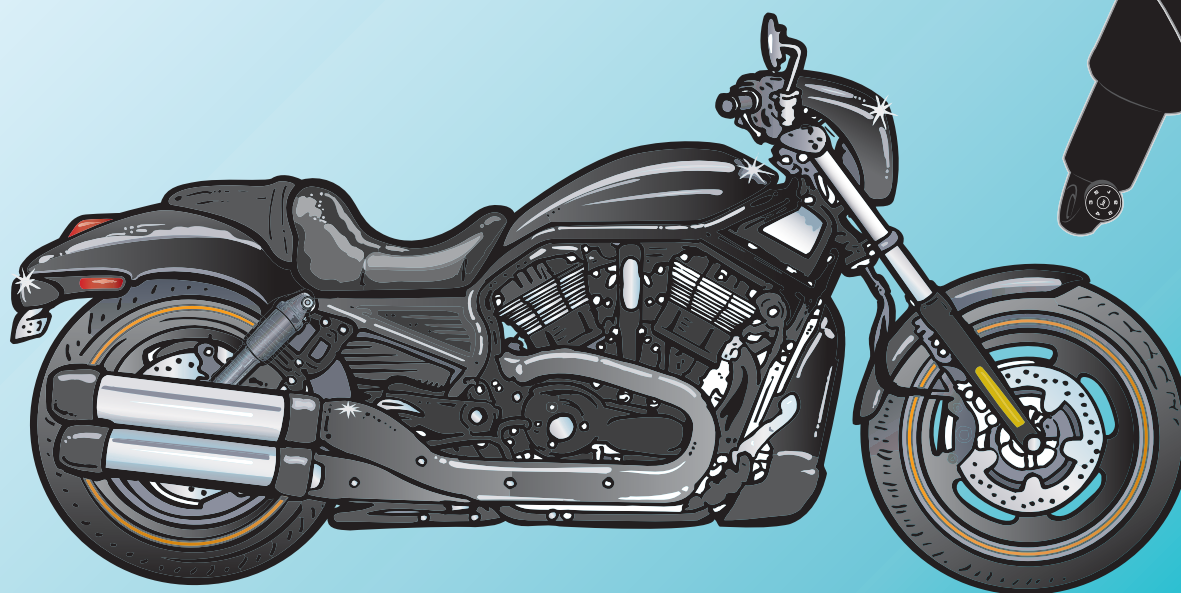
INSTALLATION GUIDE

PARTS: 1311-0109



FITMENT:

2007-17 HARLEY-DAVIDSON
V-ROD MODELS



WARRANTY

All Legend Suspensions™ parts are guaranteed to the original purchaser to be free of manufacturing defects and workmanship. Merchandise that fails to conform to these conditions will be repaired or replaced at Legend Suspensions™ option if the parts are returned to us by the purchaser. Warranty coverage is limited lifetime.

In the event warranty service is required, the original purchaser must call or e-mail Legend Suspensions™ immediately with the problem. Some problems can be rectified by a telephone call and need no further course of action.

A part that is suspect of being defective must not be replaced by a Dealer without prior authorization from Legend Suspensions™. If it is deemed necessary for Legend Suspensions™ to make an evaluation to determine whether the part was defective, a return authorization number must be obtained from Legend Suspensions™. The parts must be packaged properly so as to not cause further damage and be returned prepaid to Legend Suspensions™ with a copy of the original invoice of purchase. If after an evaluation has been made by Legend Suspensions™ and the part was found to be defective, repair will be made at Legend Suspensions™ discretion.

ADDITIONAL WARRANTY PROVISIONS

- (1) Legend Suspensions™ shall have no obligation in the event a Legend Suspension™ part is modified by any other person or organization.
- (2) Legend Suspensions™ shall have no obligation if a Legend Suspensions™ part becomes defective in whole or in part as a result of improper installation, improper maintenance, improper use, abnormal operation, or any other misuse or mistreatment of the part.
- (3) Legend Suspensions™ shall not be liable for any consequential or incidental damages resulting from the failure of a Legend Suspensions™ part, the breach of any warranties, the failure to deliver, delay in delivery in non-conforming condition, or for any other breach of contract of duty between Legend Suspensions™ and a customer.
- (4) Legend Suspensions™ shall have no warranty or liability obligation if a Legend Suspensions™ part is used in any other application. Vehicles used in competition or off road are exempt from all warranties.
- (5) All warranty items will require the original purchase invoice.
- (6) Legend Suspensions™ shall have no warranty or liability obligation to cover workshop labor charges incurred to install or remove suspension system or individual components.
- (7) Electrical components have a one year manufacturers warranty from the original invoice date or installation.
- (8) Limited lifetime warranty is further defined as the lifetime of specific product line.
- (9) Customer is liable for shipping charges to and from Legend Suspensions™ for warranty repairs or replacement parts.

WARNING: Legend Suspensions™ assumes no responsibility for damage or injuries which may result from the use or installation of its products, whether or not properly installed or used. Installing a Legend Suspensions system may decrease initial ground clearance when in lowered position. The motorcycle will be lower to the ground and care should be taken to avoid bottoming out, especially over bumps or in turns. To maintain proper balanced geometry, we recommend riding in the stock height position.

All parts sold or manufactured by Legend Suspensions™ are warranted against all manufacture defects or workmanship defects. Should a product we manufacture be defective, it must be returned to Legend Suspensions™. All returns must be authorized in advance with RA#. Freight must be prepaid by customer. If our product is found to be defective, it will be repaired free of charge or exchanged at Legend Suspensions™ discretion. Repairs or exchanges will not be issued if merchandise has been damaged, abused or modified. Any disagreement which may arise out of this agreement shall be submitted to arbitration and shall be enforceable under the laws of the State of South Dakota. Judgment on the award shall be entered into by the said court, and the decision of the arbitrator shall be a condition precedent to legal rights. The parties shall submit disputed matters under the Rules of the American Arbitration Association and the losing party shall pay both parties' attorneys' fees and costs.



PARTS INCLUDED:

- | | |
|----------------------------------|-------------------------------|
| (1) 12-215 - RHS SHOCK | (1) 2.00-3.000 - TUBE CUTTER |
| (1) 12-216 - LHS SHOCK | (1) 102-100 - SPACER, 0.50" |
| (1) 12-103 - COMPRESSOR ASSEMBLY | (2) 103-101 - SPACER, 0.37" |
| (1) 800-0054 - WIRING HARNESS | (1) 103-2.004 - SPACER, 0.70" |
| (1) 200-471 - HANDLEBAR CONTROL | (2) 103-101 - WASHER, 0.12" |
| (1) 200-3002 - AIR TUBING, 8 FT. | (1) 200-2003 - Y-FITTING |



PROPERLY SUPPORT YOUR MOTORCYCLE PRIOR TO SUSPENSION INSTALLATION!

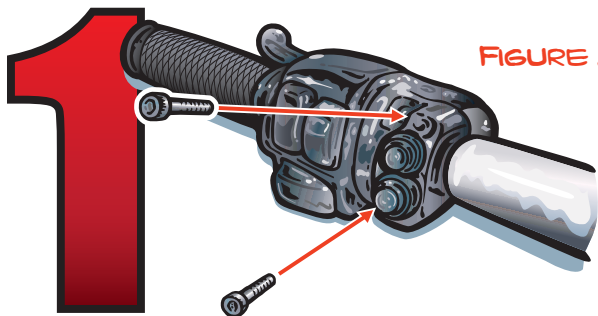


FIGURE A

1

STEP ONE: HANDLEBAR CONTROL

- A. REMOVE OE CLUTCH CLAMP.
- B. RE-USING OE HARDWARE, INSTALL LEGEND HANDLEBAR CONTROL AS SHOWN IN FIGURE A.
- C. ROUTE CABLE DOWN THE HANDLEBARS TO THE BATTERY COMPARTMENT.
- D. SECURE CABLE USING CABLE-TIES.

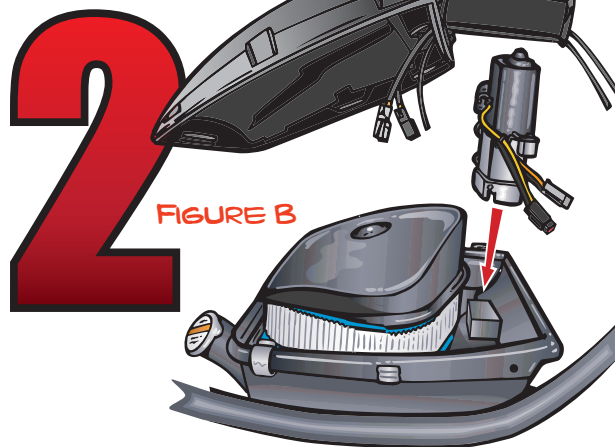


FIGURE C

FIGURE B

2

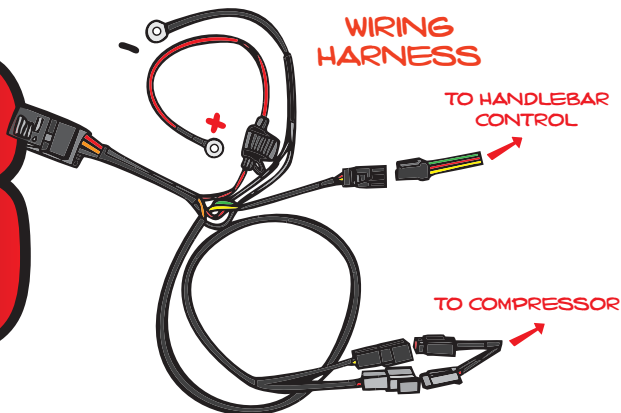
STEP TWO: COMPRESSOR MOUNT

- A. REMOVE THE AIR BOX COVER.
- B. INSTALL COMPRESSOR ASSEMBLY USING SUPPLIED VELCRO AS SHOWN IN FIGURE B.

STEP THREE: WIRING HARNESS

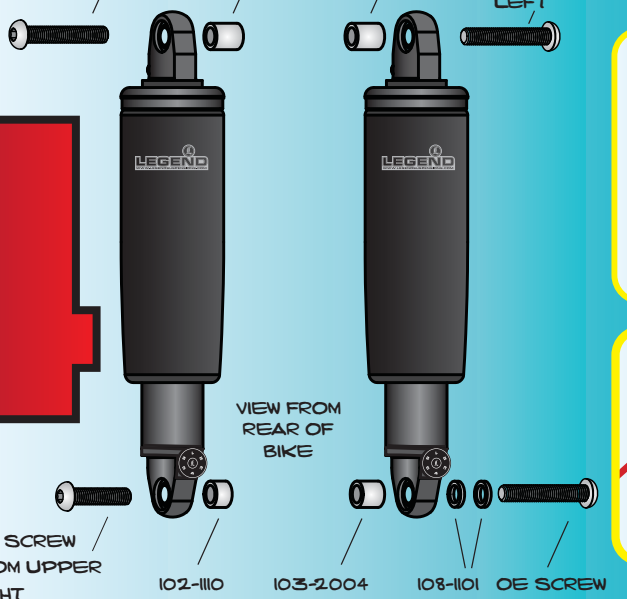
- A. REMOVE THE FUSE FROM THE FUSE HOLDER.
- B. CONNECT THE CONNECTOR FROM THE HANDLEBAR CONTROL TO THE MATING CONNECTOR ON THE WIRING HARNESS.
- C. CONNECT RED WIRE TO POSITIVE TERMINAL AND BLACK WIRE TO NEGATIVE TERMINAL ON BATTERY.
- D. FROM THE BATTERY COMPARTMENT, ROUTE THE COMPRESSOR END (GRAY AND BLACK CONNECTORS) OF THE HARNESS THROUGH THE AIR INTAKE IN TO THE AIR BOX AS SHOWN IN FIGURE C.
- E. CONNECT THE GRAY AND BLACK CONNECTORS FROM THE WIRING HARNESS TO THE MATCHING COLOR CONNECTORS ON THE COMPRESSOR ASSEMBLY.
- F. CONNECT AIR TUBING TO THE FITTING ON THE COMPRESSOR ASSEMBLY.
- G. ROUTE AIR TUBING THROUGH THE AIR INTAKE OUT OF THE BOX AS SHOWN IN FIGURE C, AND BACK TO THE COMPARTMENT UNDER THE SEAT.

3



WIRING HARNESS

FIGURE D OE SCREW 103-1101 103-1101 OE SCREW FROM LOWER LEFT



MOUNT WITH CIRCLIP FACING OUT



NEVER USE LARGE OEM FLAT WASHER

STEP FOUR: SHOCKS

- A. WITH MOTORCYCLE PROPERLY SUPPORTED ON JACK, REMOVE THE OE SHOCKS.
- B. APPLY BLUE THREAD LOCKER TO THE FASTENERS, AND INSTALL YOUR LEGEND SHOCKS ACCORDING TO THE HARDWARE CONFIGURATION IN FIGURE C, WITH AIR FITTINGS POINTING FORWARD. MOUNT WITH CIRCLIP FACING OUT, AND SILVER LABEL FACING IN. (PAY ATTENTION TO YEARS.)
- C. TORQUE HARDWARE TO OE SPECIFICATIONS.
- D. ROUTE AIR TUBING FROM EACH SHOCK AND CONNECT TO AIR TUBING FROM THE COMPRESSOR USING SUPPLIED Y-FITTING.



CAUTION MAKE SURE TUBING IS CUT AT A CLEAN 90° ANGLE

STEP FIVE: OPERATION

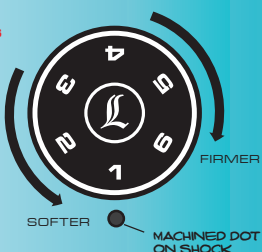
- A. REINSTALL THE FUSE IN THE FUSE HOLDER
- B. PUSH TOP BUTTON TO INFLATE SHOCKS, AND BOTTOM BUTTON TO DEFLATE SHOCKS.
- C. CHECK TIRE TO FENDER CLEARANCE WHEN SHOCKS ARE FULLY COMPRESSED
- D. WITHOUT SITTING ON THE BIKE, INFLATE SHOCKS UNTIL THE BIKE STOPS RISING.
- E. THE BIKE SHOULD SAG DOWN LESS THAN ONE INCH WHEN YOU SIT ON YOUR BIKE WITH ALL THE WEIGHT YOU WILL BE RIDING WITH.
- F. REBOUND DAMPING CONTROLS THE SPEED AT WHICH THE SHOCK ABSORBER EXTENDS AFTER BEING COMPRESSED. **USE SETTING 3.** GO TEST RIDE. STOP, ADJUST BOTH SIDES + OR - ONE INCREMENT. RUN THE SAME ROUTE AGAIN. REPEAT UNTIL PREFERRED SETTING IS FOUND. LOWER = SETTING FOR SOFTER, MORE COMPLIANT RIDE QUALITY, HIGHER = SETTING FOR MORE SPORT/PERFORMANCE FEEL.
- G. GO RIDING, AND ADJUST SPRING RATE ON-THE-GO TO YOUR PREFERENCE.

FINE TUNE REBOUND DAMPING:
FOR LEGEND AIR-A AND REVO-A MODELS
MACHINED RECESS BELOW REBOUND ADJUSTER INDICATES REBOUND SETTING.

SETTING 1: PROVIDES LOWEST LEVEL OF REBOUND DAMPING. ALSO SOFTENS SHOCK SLIGHTLY DURING COMPRESSION

SETTING 3: PROVIDES INTERMEDIATE LEVEL OF REBOUND DAMPING
IMPORTANT: MOST COMMONLY USED SETTING

SETTING 6: PROVIDES HIGHEST LEVEL OF REBOUND DAMPING. ALSO STIFFENS SHOCK SLIGHTLY DURING COMPRESSION



5