



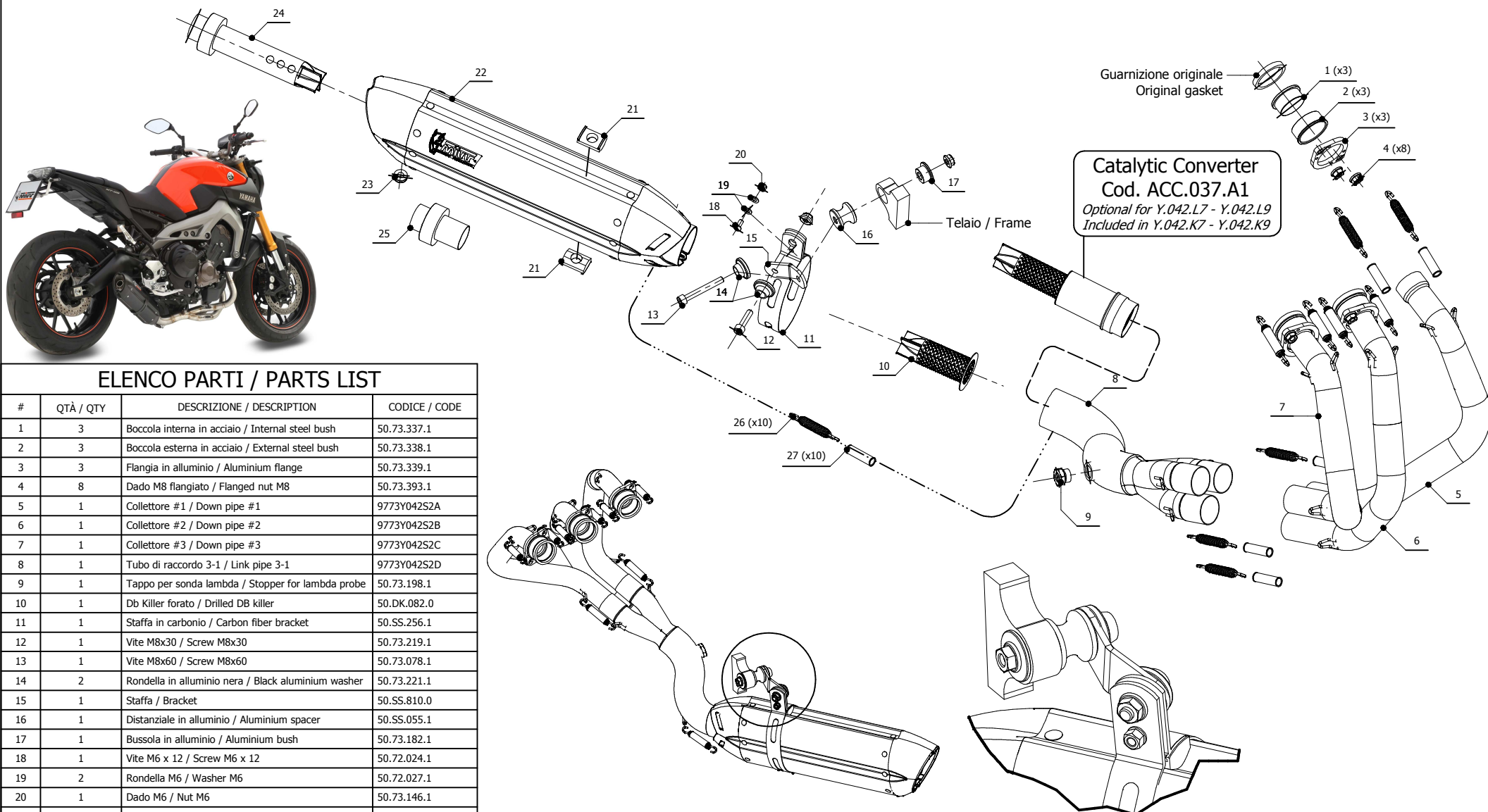
MODEL YAMAHA MT-09

YEAR 2013 - 2016

LINE FULL SYSTEM

MUFFLER SUONO

SCHEMATIC



ELENCO PARTI / PARTS LIST

#	QTÀ / QTY	DESCRIZIONE / DESCRIPTION	CODICE / CODE
1	3	Boccola interna in acciaio / Internal steel bush	50.73.337.1
2	3	Boccola esterna in acciaio / External steel bush	50.73.338.1
3	3	Flangia in alluminio / Aluminium flange	50.73.339.1
4	8	Dado M8 flangiato / Flanged nut M8	50.73.393.1
5	1	Collettore #1 / Down pipe #1	9773Y042S2A
6	1	Collettore #2 / Down pipe #2	9773Y042S2B
7	1	Collettore #3 / Down pipe #3	9773Y042S2C
8	1	Tubo di raccordo 3-1 / Link pipe 3-1	9773Y042S2D
9	1	Tappo per sonda lambda / Stopper for lambda probe	50.73.198.1
10	1	Db Killer forato / Drilled DB killer	50.DK.082.0
11	1	Staffa in carbonio / Carbon fiber bracket	50.SS.256.1
12	1	Vite M8x30 / Screw M8x30	50.73.219.1
13	1	Vite M8x60 / Screw M8x60	50.73.078.1
14	2	Rondella in alluminio nera / Black aluminium washer	50.73.221.1
15	1	Staffa / Bracket	50.SS.810.0
16	1	Distanziale in alluminio / Aluminium spacer	50.SS.055.1
17	1	Bussola in alluminio / Aluminium bush	50.73.182.1
18	1	Vite M6 x 12 / Screw M6 x 12	50.72.024.1
19	2	Rondella M6 / Washer M6	50.72.027.1
20	1	Dado M6 / Nut M6	50.73.146.1
21	2	Tassello grande / Rubber big block	50.73.203.1
22	1	Silenziatore / Muffler	SUONO 320
23	1	Tappo in gomma / Rubber stopper	50.73.266.1
24	1	DB killer / DB killer	50.DK.070.0
25	1	DB killer racing / Racing DB killer	50.DK.054.0
26	10	Molla media / Middle spring	50.73.359.1
27	10	Tubo in gomma per molla / Rubber pipe for spring	50.73.210.1

APPLICAZIONI / APPLICATIONS

CODICE / CODE	SILENZIATORE / MUFFLER	TUBO / PIPE	FASCETTA / CLAMP	NOTE
Y.042.L7 Y.042.L9	INOX (COPPE CARBONIO) / ST. STEEL (CARBON CAPS) STEEL BLACK	INOX / ST. STEEL	CARBONIO / CARBON FIBER	CATALYTIC CONVERTER NOT INCLUDED
Y.042.K7 Y.042.K9	INOX (COPPE CARBONIO) / ST. STEEL (CARBON CAPS) STEEL BLACK	INOX / ST. STEEL	CARBONIO / CARBON FIBER	CATALYTIC CONVERTER INCLUDED