



Time Zone AeroBar Installation Instructions



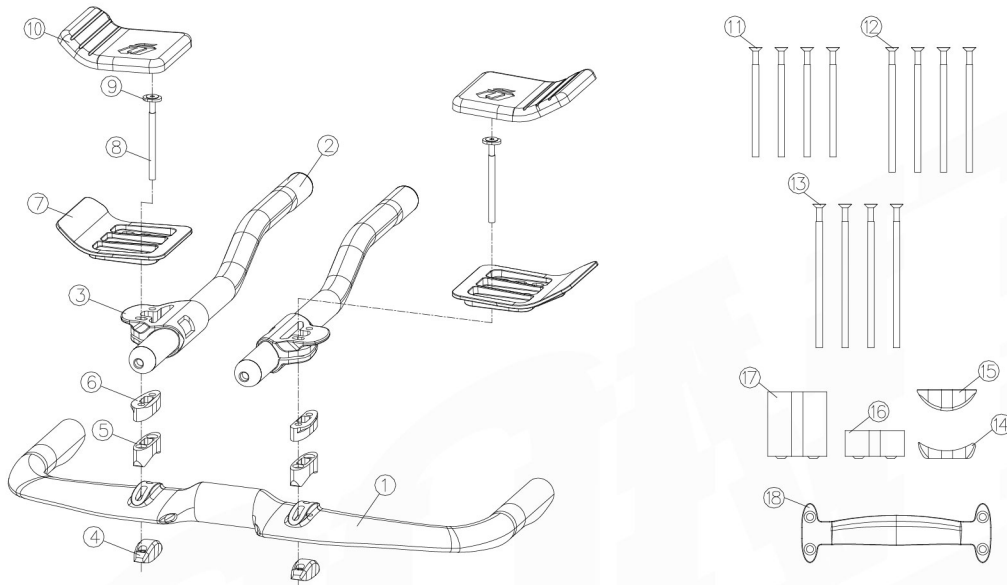
說明

感謝購買Controltech產品。請詳讀此安裝說明書並遵循正確使用方式，若沒有遵從說明書警告事項而導致產品損壞則不再保固範圍內。

保固

從購買日起Controltech提供兩年產品保固。消費者請保留產品保證書或相關的購買證明(如發票或收據)。產品在保固期內有需要維修服務時，煩請提出保證書或相關購買證明。

Controltech保固不包括錯誤或惡意之損壞，也不包含跳躍摔倒降落衝擊或其他的碰撞，以及忽視定期保養和錯誤零件組裝。另外，私自改裝、增加或替換產品上的零件，是不包含在保固內。自然的損壞也不包含在保固範圍內。



產品名稱 / 型號

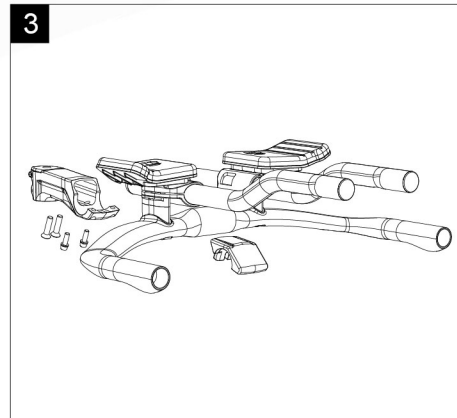
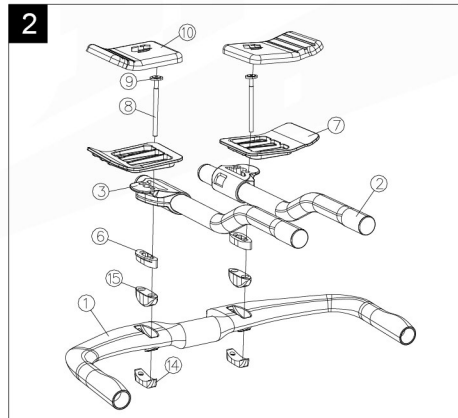
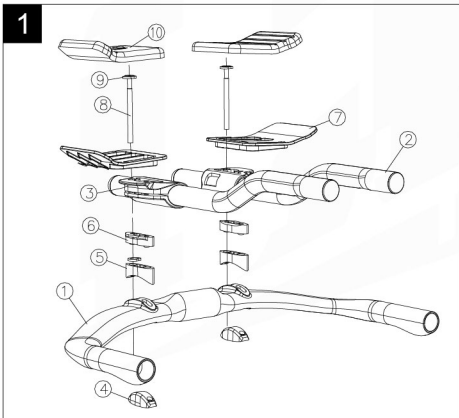
Time Zone AeroBar / TTH-17

零件名稱

- ① 飛機把x1。
- ② 延伸把x2。
- ③ G夾x2。
- ④ 正向調整下蓋x2。(計時賽設定)
- ⑤ 正向調整上蓋x2。(計時賽設定)
- ⑥ 轉接座x2。
- ⑦ 手肘板x2。
- ⑧ M5螺絲x4(65mm)。
- ⑨ 橢圓型墊片x4。
- ⑩ 靠墊x2。

配件

- ⑪ M5螺絲x4(85mm)(墊高20mm)。
- ⑫ M5螺絲x4(105mm)(墊高40mm)。
- ⑬ M5螺絲x4(130mm)(墊高60mm)。
- ⑭ 負向調整下蓋x2。(三鐵設定)
- ⑮ 負向調整上蓋x2。(三鐵設定)
- ⑯ 20mm墊片x2。
- ⑰ 40mm墊片x2。
- ⑱ 架橋。



安裝說明

- 1 計時賽設定:** 將橢圓墊片套進M5螺絲，用M5螺絲依序把手肘板、G夾、轉接座、正向調整上下蓋(計時賽設定)、及延伸把鎖固在飛機把上(鎖固最大扭力值6Nm)。
- 2 三鐵賽設定:** 將橢圓墊片套進M5螺絲，用M5螺絲依序把手肘板、G夾、轉接座、負向調整上下蓋(三鐵設定)、及延伸把鎖固在飛機把上(鎖固最大扭力值6Nm)。
- 3** 將AeroBar組裝至立管，並平均對角鎖上立管前蓋(鎖固最大扭力值6Nm)。
- 4** 適當調整手肘板及延伸把的角度及位置以符合您最佳的騎乘姿勢。





Time Zone AeroBar Installation Instructions

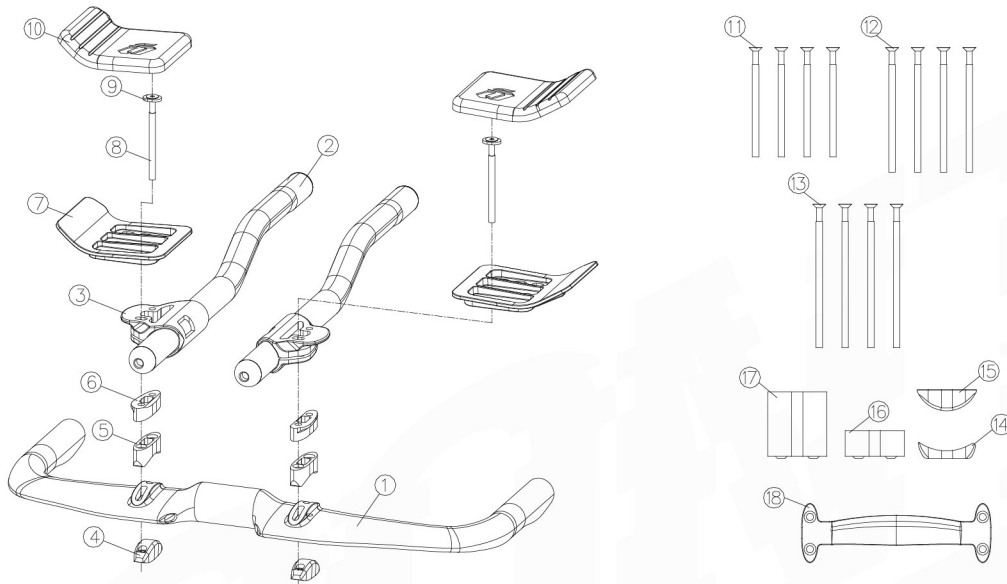


Thank you for choosing this Controltech. With proper care and installation, it will give you trouble-free, enjoyable use.

In order to maximize the safe enjoyment of this product, you should read and carefully follow the following installation instructions and warnings. Failure to do so could result in unexpected wear and/or failure, possibly resulting in injury.

Controltech warrants this product to be free from defects in materials and workmanship for a period of two years from the date of purchase when purchased from an authorized Controltech dealer. This warranty is extended only to the original owner of the product and is not transferable. Proof of purchase is required for any warranty service, so be sure to keep your receipt.

This warranty does not cover cosmetic or structural damage arising from misuse or abuse, including damage caused by crashes, jumping and landing, front end impact, falls or any other collision, owner neglect of regular maintenance, improper installation of parts and accessories. Controltech makes no warranty if modifications, changes, additions or substitutions are made to any components. Wear from normal use or exposure to environmental elements is not covered by this warranty. Controltech makes no warranty against any incidental or consequential damage to bike or parts, or rider injury caused by defects as covered in this warranty.



Model name / Model no.

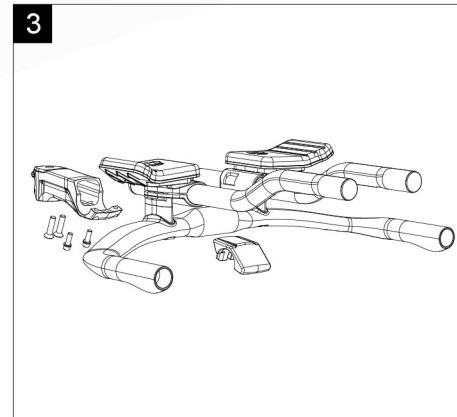
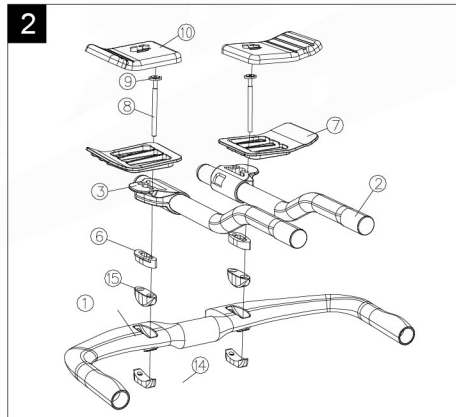
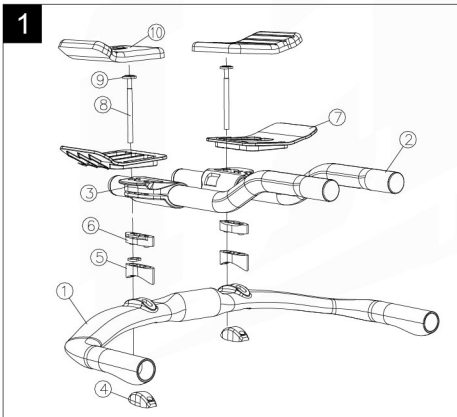
Time Zone AeroBar / TTH-17

Part

- ① AeroBar x1 °
- ② Extension x2 °
- ③ G Clamp x2 °
- ④ Lower clamp of Time Trial set-up (-20mm base bar drop) x2 °
- ⑤ Upper clamp of Time Trial set-up (-20mm base bar drop) x2 °
- ⑥ Adaptor x2 °
- ⑦ Elbow pad cradle x2 °
- ⑧ M5 bolt x4(65mm) °
- ⑨ Spacer x4 °
- ⑩ Elbow pad x2 °

Accessories

- ⑪ M5 bolts x4 (Length 85 mm for 20mm stack height) °
- ⑫ M5 bolts x4 (Length 105 mm for 40mm stack height) °
- ⑬ M5 bolts x4 (Length 130 mm for 60mm stack height) °
- ⑭ Lower clamp of Triathlon set-up (+20mm base bar drop) x2 °
- ⑮ Upper clamp of Triathlon set-up (+20mm base bar drop) x2 °
- ⑯ 20mm spacers x2 °
- ⑰ 40mm spacers x2 °
- ⑱ Bridge °



Installation

- 1 Time Trial set-up(Base drop -20mm):**
 - a. Insert the M5 bolts the spacers into the spacers
 - b. Sequentially assemble the elbow pad→G Clamp→adaptor→Lower clamp →Upper clamp→extension with the base bar and tighten the bolts with maximum torque 6Nm.
- 2 Triathlon set-up(Base drop +20mm):**
 - a. Insert the M5 bolts the spacers into the spacers
 - b. Sequentially assemble the elbow pad→G Clamp→adaptor→Lower clamp →Upper clamp→extension with the base bar and tighten the bolts with maximum torque 6Nm.
- 3 Assemble the aero bar with the stem and evenly tighten the faceplate bolts diagonally by maximum torque 6Nm.**
- 4 Adjust the elbow pad cradle, extension angle to your best riding experience.**

