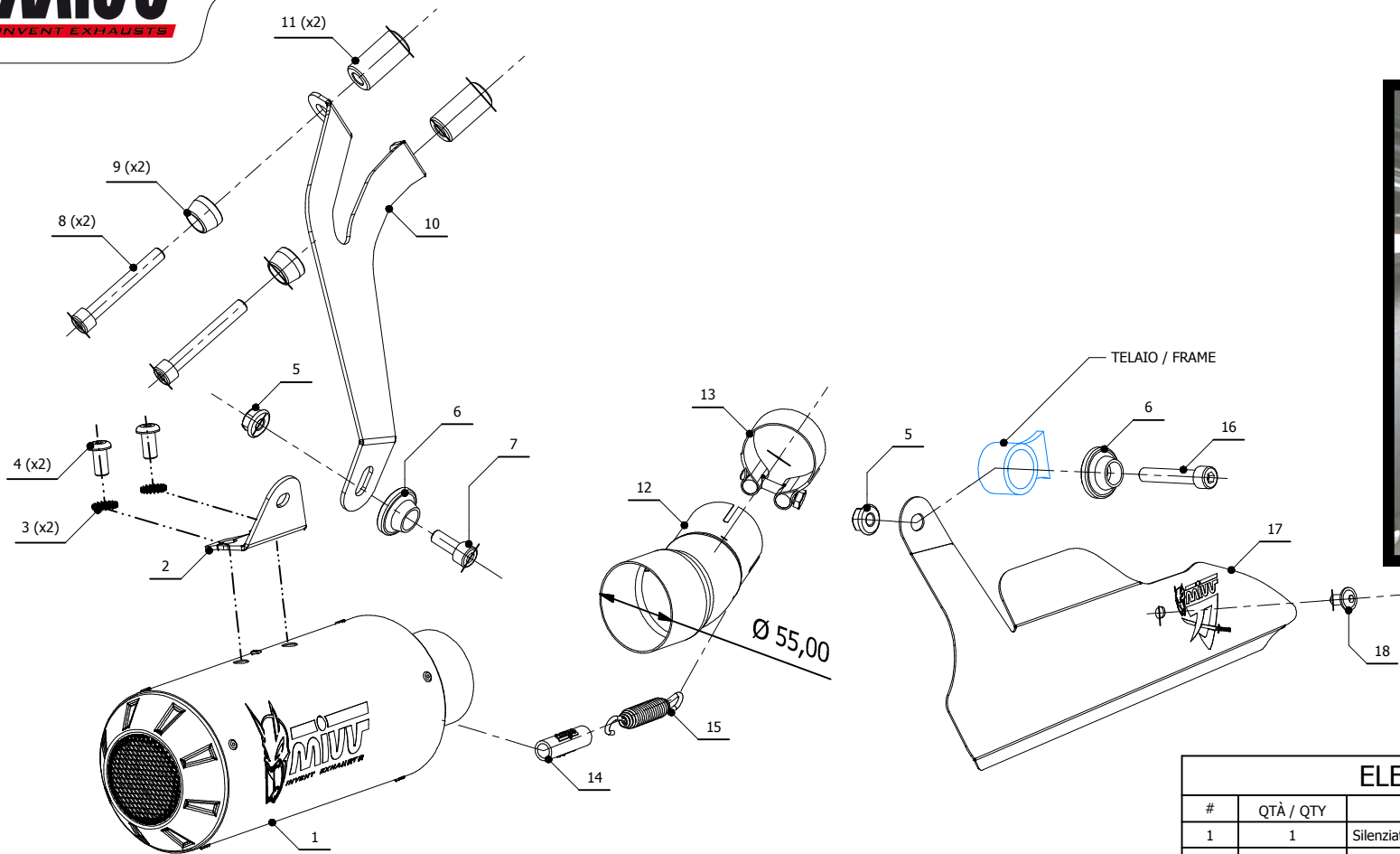




SUZUKI GSX-S 1000 KATANA 2019-2020

MK3



ELENCO PARTI / PARTS LIST			
#	QTÀ / QTY	DESCRIZIONE / DESCRIPTION	CODICE / CODE
1	1	Silenziatore / Muffler	MK3 Ø 55
2	1	Staffa / Bracket	50.SS.1195.0
3	2	Rondella di sicurezza / Safety washer	50.73.604.1
4	2	Vite M8 x 16 / Screw M8 x 16	50.73.098.1
5	2	Dado M8 flangiato / Flanged nut M8	50.73.393.1
6	2	Rondella in alluminio nera / Black aluminium washer	50.73.221.1
7	1	Vite M8x20 / Screw M8x20	50.73.894.1
8	2	Vite M8x60 / Screw M8x60	50.73.078.1
9	2	Rondella in alluminio / Aluminium washer	50.73.857.1
10	1	Staffa / Bracket	50.SS.1194.0
11	2	Distanziale in alluminio / Aluminium spacer (Øe.18 Øi.8,5 h.35)	50.73.911.1
12	1	Tubo di raccordo / Link pipe	9773S056SM3X
13	1	Fascetta Ø 44/47 mm / Pipe clamp Ø 44/47 mm	50.FA.006.1
14	1	Gommino per molla / Rubber for spring	50.73.210.1
15	1	Molla media / Mid-size spring	50.73.359.1
16	1	Vite M8x45 / Screw M8x45	50.73.602.1
17	1	Cover acciaio nero / Black steel cover	50.CR.048.0
18	1	Vite M6x12 / Screw M6x12	50.00.063.1

APPLICAZIONI / APPLICATIONS

CODICE / CODE	SILENZIATORE / MUFFL	LOGO	TUBO / PIPE
S.056.LM3B	STEEL BLACK	LASER	
S.056.LM3C	CARBONIO / CARBON FIBER	ALUMINIUM LABEL	INOX / ST. STEEL
S.056.LM3X	INOX / ST. STEEL	LASER	

