



MODEL YAMAHA T-MAX 500

YEAR 2001-2007

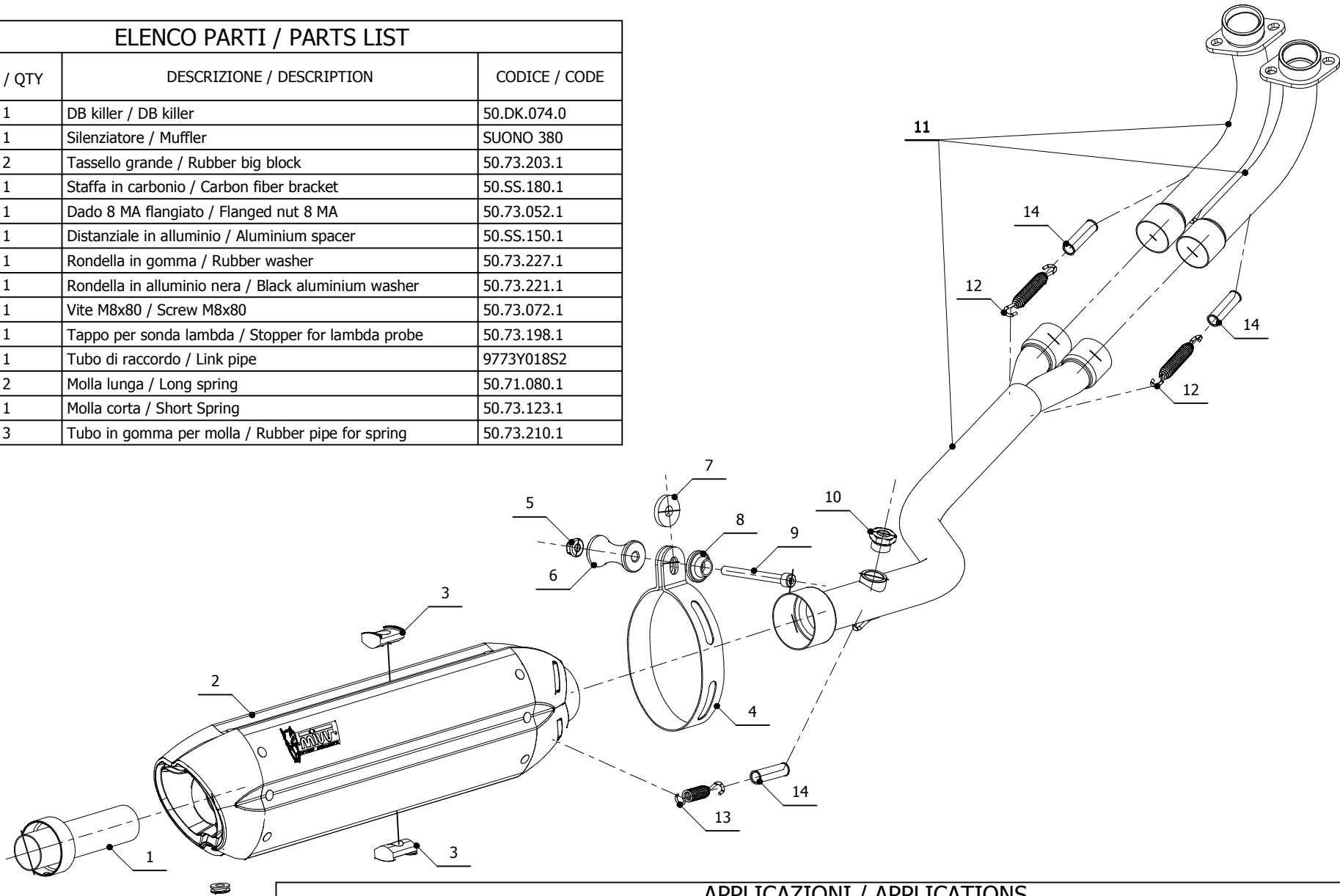
LINE SPORT

MUFFLER SUONO

SCHEMATIC

ELENCO PARTI / PARTS LIST

#	QTÀ / QTY	DESCRIZIONE / DESCRIPTION	CODICE / CODE
1	1	DB killer / DB killer	50.DK.074.0
2	1	Silenziatore / Muffler	SUONO 380
3	2	Tassello grande / Rubber big block	50.73.203.1
4	1	Staffa in carbonio / Carbon fiber bracket	50.SS.180.1
5	1	Dado 8 MA flangiato / Flanged nut 8 MA	50.73.052.1
6	1	Distanziale in alluminio / Aluminium spacer	50.SS.150.1
7	1	Rondella in gomma / Rubber washer	50.73.227.1
8	1	Rondella in alluminio nera / Black aluminium washer	50.73.221.1
9	1	Vite M8x80 / Screw M8x80	50.73.072.1
10	1	Tappo per sonda lambda / Stopper for lambda probe	50.73.198.1
11	1	Tubo di raccordo / Link pipe	9773Y018S2
12	2	Molla lunga / Long spring	50.71.080.1
13	1	Molla corta / Short Spring	50.73.123.1
14	3	Tubo in gomma per molla / Rubber pipe for spring	50.73.210.1



APPLICAZIONI / APPLICATIONS

CODICE / CODE	TUBO / PIPE	SILENZIATORE / MUFFLER	FASCETTA / CLAMP	CODICE OMOL. / HOMOL. CODE
Y.018.L7	INOX / ST. STEEL	INOX (COPPE CARBONIO) / ST. STEEL (CARBON CAPS)	CARBONIO / CARBON FIBER	ME041 e9 1309
Y.018.L9	INOX / ST. STEEL	STEEL BLACK	CARBONIO / CARBON FIBER	ME041 e9 1309