



MODEL SUZUKI GSF 650 BANDIT
SUZUKI GSX 650 F

YEAR 2007-->
2008-->

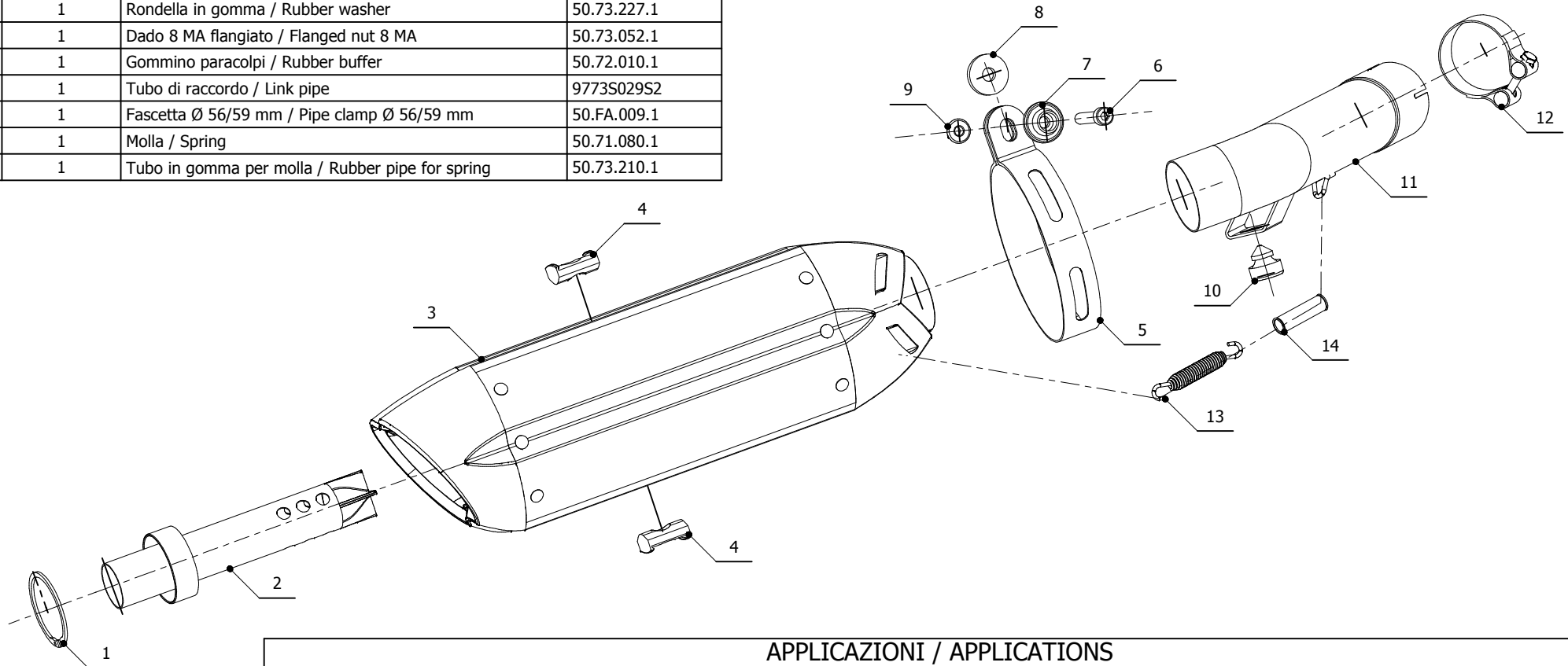
LINE SPORT

MUFFLER SUONO

SCHEMATIC

ELENCO PARTI / PARTS LIST

| # | QTÀ / QTY | DESCRIZIONE / DESCRIPTION | CODICE / CODE |
|----|-----------|---|---------------|
| 1 | 1 | Anello Seger / Seger ring | 50.73.218.1 |
| 2 | 1 | DB killer / DB killer | 50.DK.024.0 |
| 3 | 1 | Silenziatore / Muffler | SUONO |
| 4 | 2 | Tassello grande / Rubber big block | 50.73.203.1 |
| 5 | 1 | Staffa in carbonio / Carbon fiber bracket | 50.SS.180.1 |
| 6 | 1 | Vite M8x50 / Screw M8x50 | 50.73.074.1 |
| 7 | 1 | Rondella in alluminio nera / Black aluminium washer | 50.73.221.1 |
| 8 | 1 | Rondella in gomma / Rubber washer | 50.73.227.1 |
| 9 | 1 | Dado 8 MA flangiato / Flanged nut 8 MA | 50.73.052.1 |
| 10 | 1 | Gommino paracolpi / Rubber buffer | 50.72.010.1 |
| 11 | 1 | Tubo di raccordo / Link pipe | 9773S029S2 |
| 12 | 1 | Fascetta Ø 56/59 mm / Pipe clamp Ø 56/59 mm | 50.FA.009.1 |
| 13 | 1 | Molla / Spring | 50.71.080.1 |
| 14 | 1 | Tubo in gomma per molla / Rubber pipe for spring | 50.73.210.1 |



APPLICAZIONI / APPLICATIONS

| CODICE / CODE | TUBO / PIPE | SILENZIATORE / MUFFLER | FASCETTA / CLAMP | CODICE OMOL. / HOMOL. CODE |
|---------------|------------------|--|-------------------------|----------------------------|
| S.030.L7 | INOX / ST. STEEL | INOX (COPPE CARBONIO) / ST. STEEL (CARBON CAPS) | CARBONIO / CARBON FIBER | ME002 e9 1177 |
| S.030.L9 | INOX / ST. STEEL | CARBONIO (COPPE CARBONIO) / CARBON (CARBON CAPS) | CARBONIO / CARBON FIBER | ME002 e9 1177 |