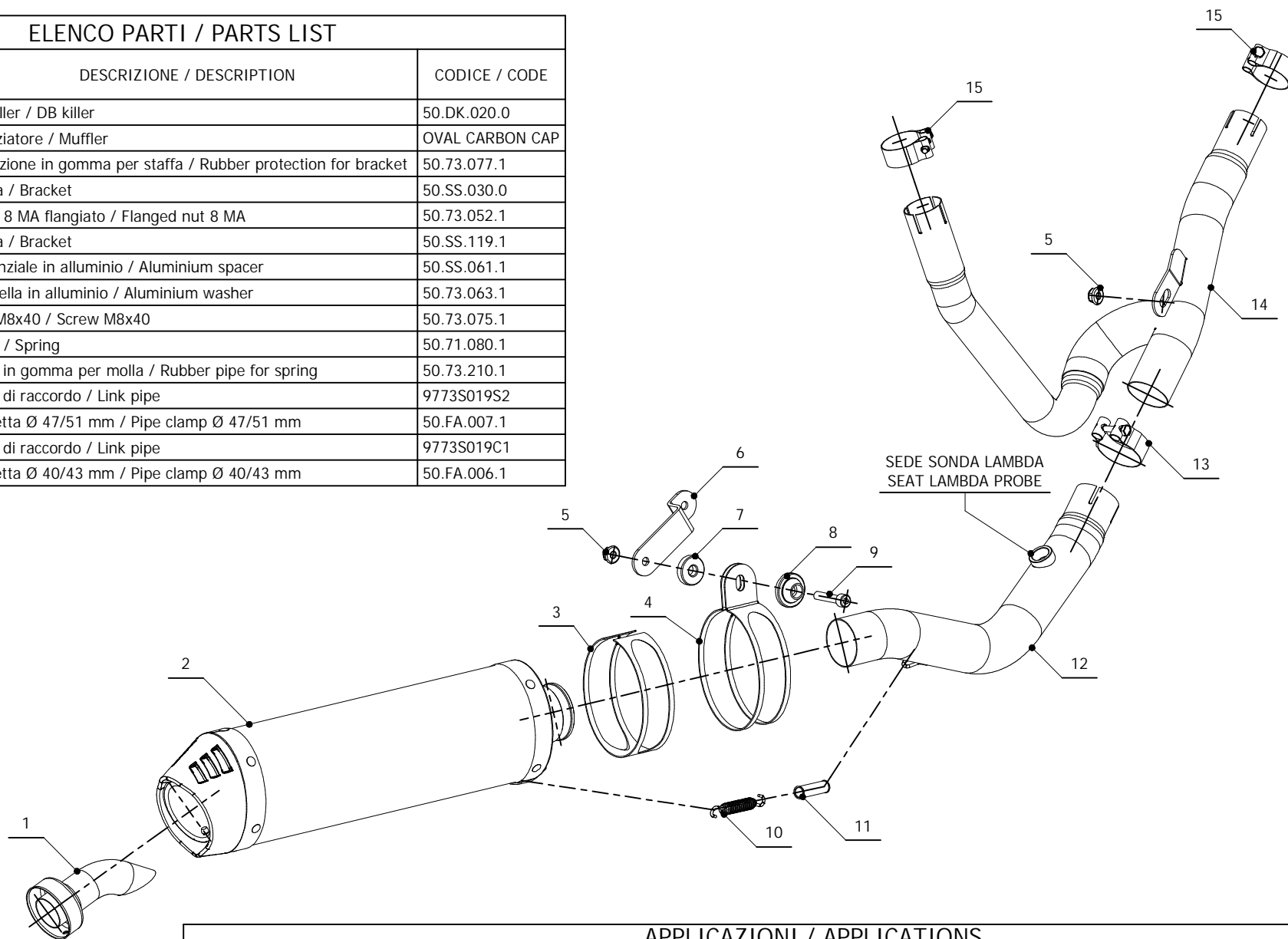


ELENCO PARTI / PARTS LIST

#	QTA / QTY	DESCRIZIONE / DESCRIPTION	CODICE / CODE
1	1	DB killer / DB killer	50.DK.020.0
2	1	Silenziatore / Muffler	OVAL CARBON CAP
3	1	Protezione in gomma per staffa / Rubber protection for bracket	50.73.077.1
4	1	Staffa / Bracket	50.SS.030.0
5	2	Dado 8 MA flangiato / Flanged nut 8 MA	50.73.052.1
6	1	Staffa / Bracket	50.SS.119.1
7	1	Distanziale in alluminio / Aluminium spacer	50.SS.061.1
8	1	Rondella in alluminio / Aluminium washer	50.73.063.1
9	1	Vite M8x40 / Screw M8x40	50.73.075.1
10	1	Molla / Spring	50.71.080.1
11	1	Tubo in gomma per molla / Rubber pipe for spring	50.73.210.1
12	1	Tubo di raccordo / Link pipe	9773S019S2
13	1	Fascetta Ø 47/51 mm / Pipe clamp Ø 47/51 mm	50.FA.007.1
14	1	Tubo di raccordo / Link pipe	9773S019C1
15	2	Fascetta Ø 40/43 mm / Pipe clamp Ø 40/43 mm	50.FA.006.1


APPLICAZIONI / APPLICATIONS

CODICE / CODE	TUBO / PIPE	SILENZIATORE / MUFFLER	FASCETTA / CLAMP	CODICE OMOLOGAZIONE / HOMOLOGATION CODE
S.027.L3C	INOX / STAINLESS STEEL	CARBONIO / CARBON FIBER	INOX / STAINLESS STEEL	ME008 e9 1176
S.027.L4C	INOX / STAINLESS STEEL	TITANIO / TITANIUM	INOX / STAINLESS STEEL	ME008 e9 1176