



MODEL HONDA XL 125 VARADERO

YEAR 2007 -->

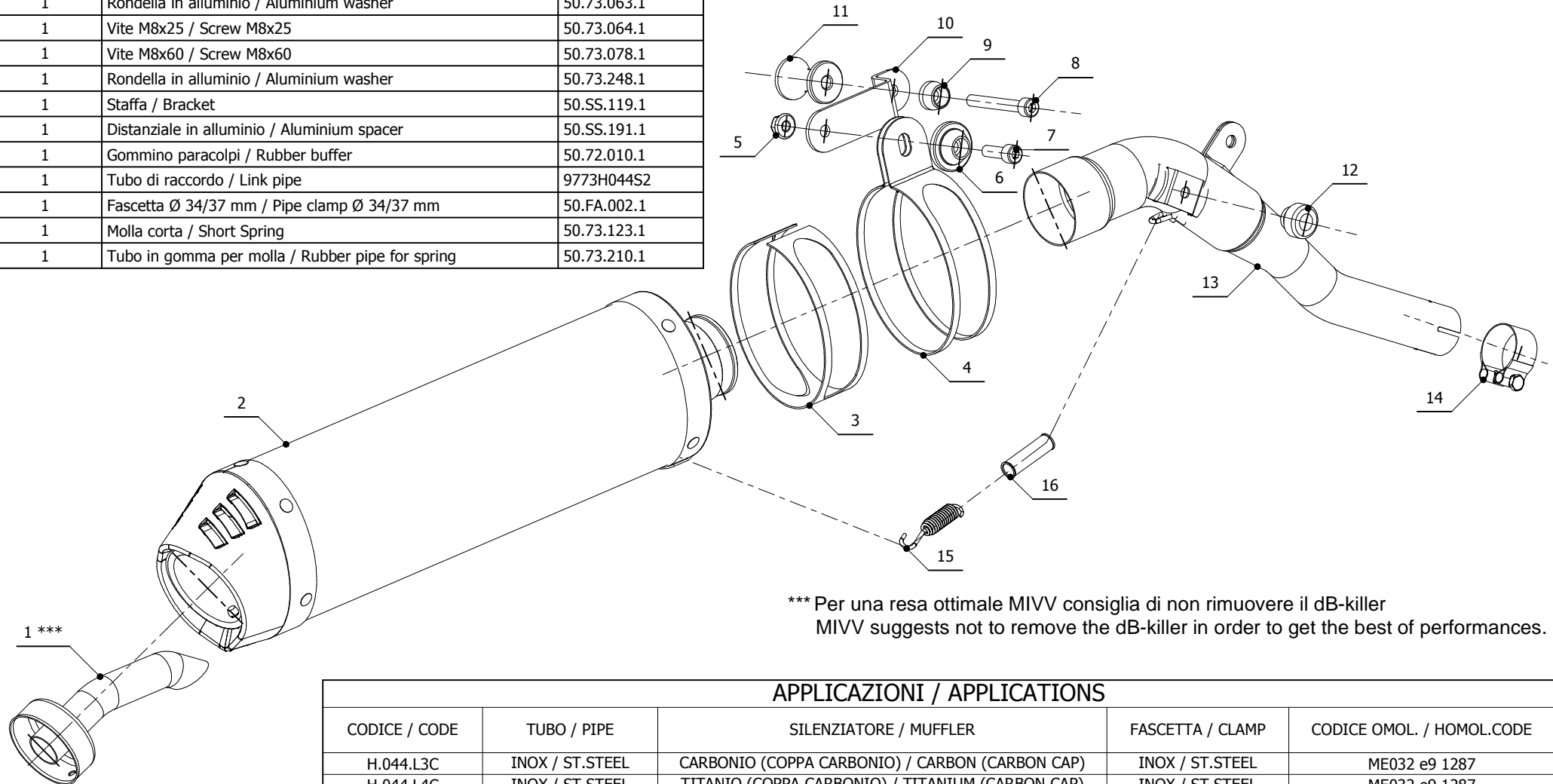
LINE SPORT

MUFFLER OVAL CARBON CAP

SCHEMATIC

ELENCO PARTI / PARTS LIST

#	QTÀ / QTY	DESCRIZIONE / DESCRIPTION	CODICE / CODE
1	1	DB killer / DB killer	50.DK.021.0
2	1	Silenziatore / Muffler	OVAL CARBON CAP
3	1	Protezione in gomma per staffa / Rubber protection for bracket	50.73.077.1
4	1	Staffa / Bracket	50.SS.030.0
5	1	Dado 8 MA flangiato / Flanged nut 8 MA	50.73.052.1
6	1	Rondella in alluminio / Aluminium washer	50.73.063.1
7	1	Vite M8x25 / Screw M8x25	50.73.064.1
8	1	Vite M8x60 / Screw M8x60	50.73.078.1
9	1	Rondella in alluminio / Aluminium washer	50.73.248.1
10	1	Staffa / Bracket	50.SS.119.1
11	1	Distanziale in alluminio / Aluminium spacer	50.SS.191.1
12	1	Gommino paracolpi / Rubber buffer	50.72.010.1
13	1	Tubo di raccordo / Link pipe	9773H044S2
14	1	Fascetta Ø 34/37 mm / Pipe clamp Ø 34/37 mm	50.FA.002.1
15	1	Molla corta / Short Spring	50.73.123.1
16	1	Tubo in gomma per molla / Rubber pipe for spring	50.73.210.1



*** Per una resa ottimale MIVV consiglia di non rimuovere il dB-killer
MIVV suggests not to remove the dB-killer in order to get the best of performances.

APPLICAZIONI / APPLICATIONS

CODICE / CODE	TUBO / PIPE	SILENZIATORE / MUFFLER	FASCETTA / CLAMP	CODICE OMOL. / HOMOL.CODE
H.044.L3C	INOX / ST.STEEL	CARBONIO (COPPA CARBONIO) / CARBON (CARBON CAP)	INOX / ST.STEEL	ME032 e9 1287
H.044.L4C	INOX / ST.STEEL	TITANIO (COPPA CARBONIO) / TITANIUM (CARBON CAP)	INOX / ST.STEEL	ME032 e9 1287