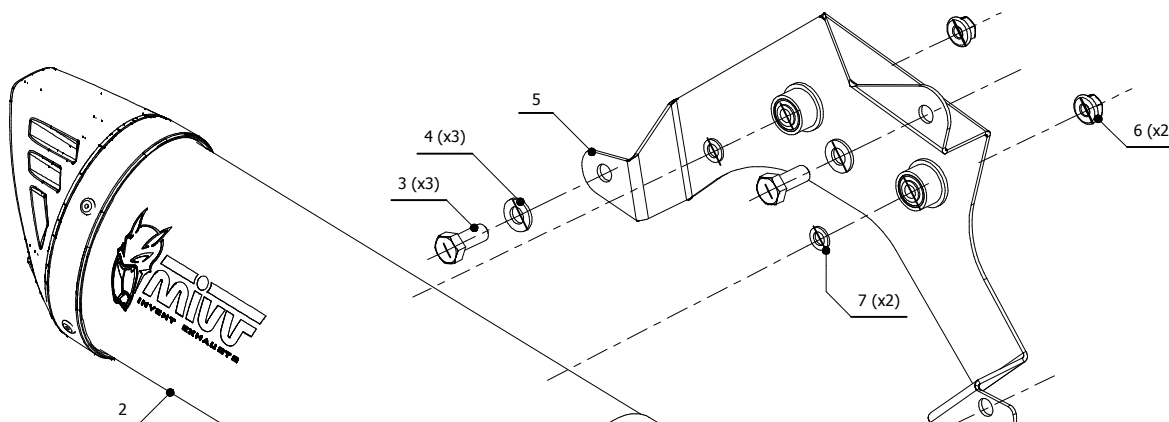
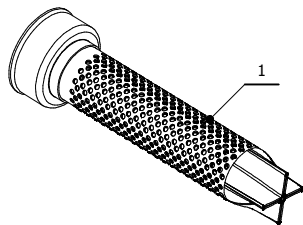




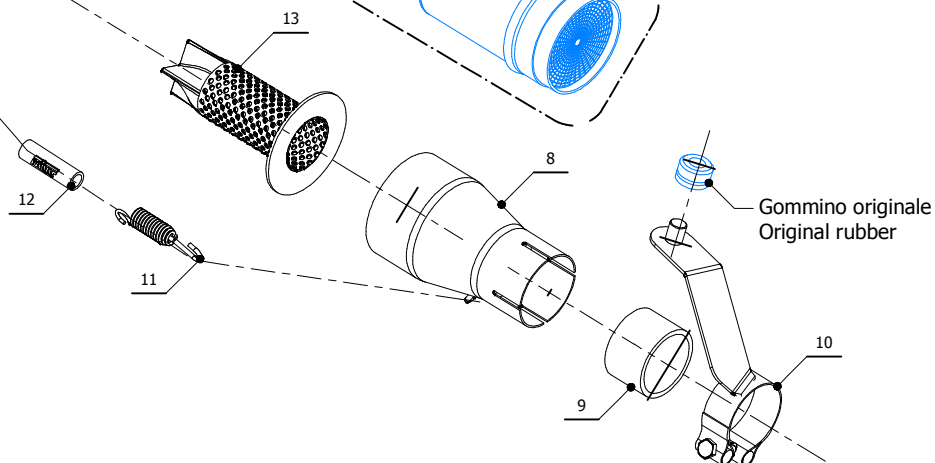
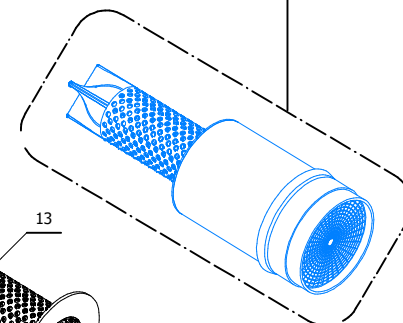
# KYMCO X CITING 400 S 2019 >

## MOVER



ELENCO PARTI / PARTS LIST			
#	QTÀ / QTY	DESCRIZIONE / DESCRIPTION	CODICE / CODE
1	1	DB killer / DB killer	50.DK.156.0
2	1	Silenziatore / Muffler	MOVER L.400 Øi 66
3	3	Vite M10x25 / Screw M10x25	50.73.183.1
4	3	Rondella M10 / Washer M10	50.73.013.1
5	1	Staffa Mover / Mover bracket	50.SS.1140.0
6	2	Dado M8 flangiato / Flanged nut M8	50.73.393.1
7	2	Rondella M8 / Washer M8	50.73.270.1
8	1	Tubo di raccordo / Link pipe	97MVKY0001LV
9	1	Guarnizione in grafite / Graphite bush	50.72.38.44.28
10	1	Fascetta / Pipe clamp	50.SS.1141.0
11	1	Molla corta / Short Spring	50.73.123.1
12	1	Gommino per molla / Rubber for spring	50.73.210.1
13	1	Db Killer forato / Drilled DB killer	50.DK.126.0

**Catalytic Converter**  
**Cod. ACC.046.A1**  
*Optional for MV.KY.0001.LV*  
*Included in MV.KY.0001.KV*



### APPLICAZIONI / APPLICATIONS

CODICE / CODE	SILENZIATORE / MUFFLER	TUBO / PIPE	NOTE
MV.KY.0001.LV	BLACK	INOX / ST. STEEL	CATALYTIC CONVERTER NOT INCLUDED
MV.KY.0001.KV	BLACK	INOX / ST. STEEL	CATALYTIC CONVERTER INCLUDED