



**FITTING INSTRUCTIONS FOR MBP0035BK MIRROR BLANKING PLATES  
BMW S1000RR 2019**



Picture A

**THIS KIT CONTAINS THE ITEMS PICTURED AND LABELLED OVER PAGE.**

SOME PARTS MAY BE SHOWN FOR CLARITY OF INSTRUCTIONS ONLY.

DO NOT PROCEED UNTIL YOU ARE SURE ALL PARTS ARE PRESENT.

**PLEASE READ ALL INSTRUCTIONS BEFORE PROCEEDING.**

PLEASE NOTE THAT THE WAY THE KIT IS PACKED DOES NOT NECESSARILY REPRESENT THE WAY OF MOUNTING TO THE BIKE.

IN THE EVENT OF RUBBER WASHERS BEING USED TO HOLD COMPONENTS ONTO BOLTS,  
THESE RUBBER WASHERS CAN BE THROWN AWAY.

**DIGITAL COPIES OF THESE INSTRUCTIONS ARE AVAILABLE FROM:**

[WWW.RG-RACING.COM](http://WWW.RG-RACING.COM)

R&G Racing

Unit 1, Shelleys Lane, East Worldham, Alton, Hampshire GU34 3AQ.

Tel: +44 (0)1420 89007 Fax +44 (0)1420 87301 [www.rg-racing.com](http://www.rg-racing.com) Email: [info@rg-racing.com](mailto:info@rg-racing.com)

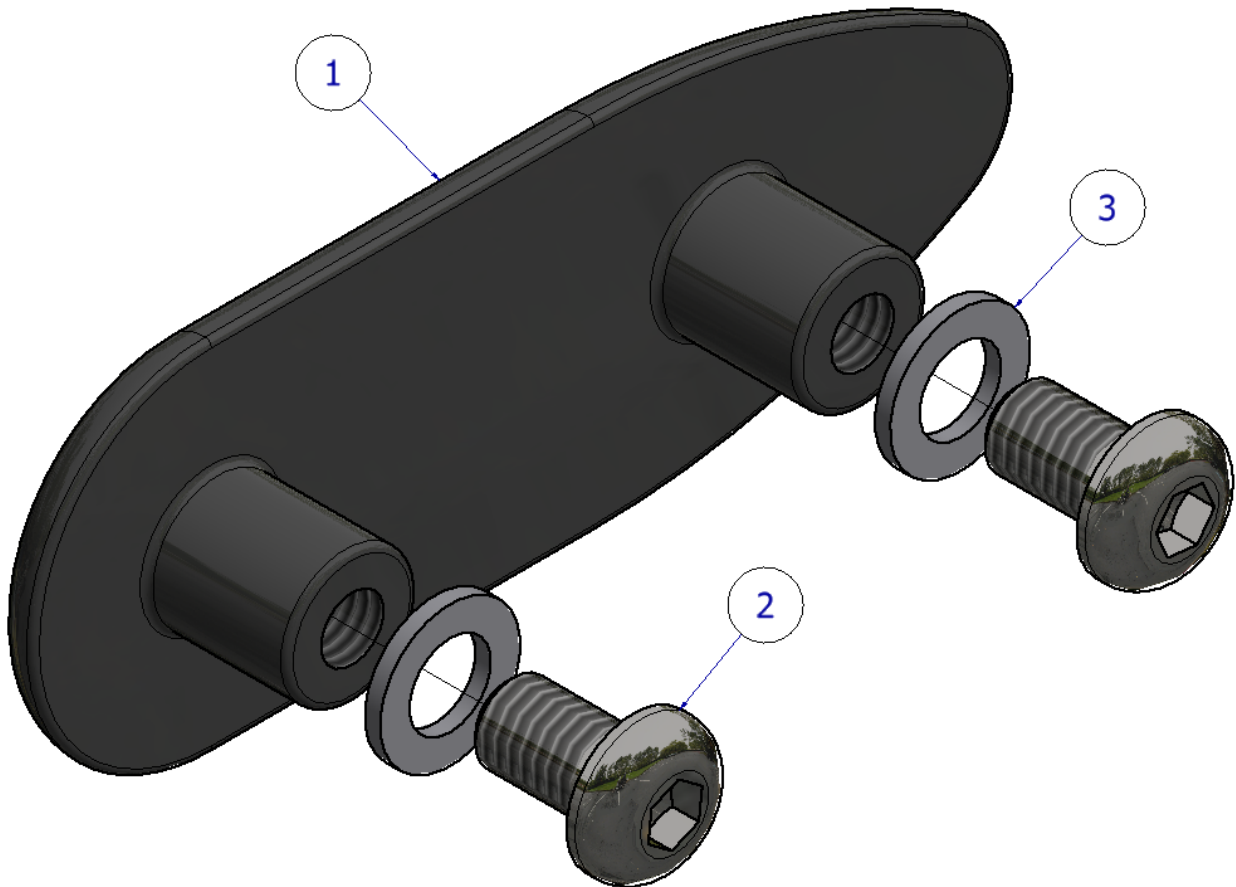


<u>TOOLS REQUIRED</u>	<u>GENERAL TORQUE SETTINGS</u>
<ul style="list-style-type: none"> <li>10mm A/F Socket and Wrench</li> <li>4mm A/F Allen Tool</li> </ul>	<p>M4 BOLT = 8Nm                      M5 BOLT = 12Nm                      M6 BOLT = 15Nm                      M8 BOLT = 20Nm                      M10 BOLT = 40Nm                      M12 BOLT = 40Nm</p>

**LEGEND**

ITEM No.	DESCRIPTION	QTY
ITEM 1	BLPM0094 MIRROR BLANKING PLATE	2
ITEM 2	M6 x 10mm PLASTIC BUTTON HEAD BOLTS	4
ITEM 3	M6 PENNY WASHERS (16mm O/D)	4

**EXPLODED ASSEMBLY DIAGRAM**



R&G Racing

Unit 1, Shelleys Lane, East Worldham, Alton, Hampshire GU34 3AQ.

Tel: +44 (0)1420 89007 Fax +44 (0)1420 87301 [www.rg-racing.com](http://www.rg-racing.com) Email: [info@rg-racing.com](mailto:info@rg-racing.com)



## **FITTING INSTRUCTIONS**

- Remove the pair of nuts securing each OEM mirror using a 10mm socket, and remove both mirrors.
- Place a mirror blanking plate (item 1) into each of the vacant mirror mounting holes, with the narrowest end pointing up.
- Place washer (item 3) over each of the M6 bolts (item 2) and secure the mirror blanking plates using a 4mm Allen tool.

ISSUE 1 - 04/09/2019 (FB)

### CONSUMER NOTICE

The catalogue description and any exhibition of samples are only broad indications of the Products and R&G may make design changes which do not diminish their performance or visual appeal and supplying them in such state shall conform to the order. The Buyer acknowledges no representation or warranty (other than as to title) has been given or will apply to the Products other than those in R&G's order or confirmation and the Buyer confirms it has chosen the Products as being of merchantable quality and suitable for its particular purposes. Where R&G fits the Products or undertakes other services it shall exercise reasonable skill and care and rectify any fault free of charge unless the workmanship has been disturbed. The Buyer is responsible for ensuring that the warranty on the motorcycle is not affected by the fitting of the Products. On return of any defective Products R&G shall at its option either supply a replacement or refund the purchase money but shall not be liable if the Products have been modified or used or maintained otherwise than in accordance with R&G's or manufacturer's instructions and good engineering practice or if the defect arises from accident or neglect. Other than identified above and subject to R&G not limiting its liability for causing death and personal injury, it shall not be liable for indirect or consequential loss and otherwise its liability shall be limited to the amounts paid by the Buyer for the Products or the fitting or service concerned. These terms do not affect the Buyer's statutory rights.

### R&G RETURNS POLICY (NON-FAULTY GOODS)

Returns must be pre-authorized (if not pre-authorized the return will be rejected). Goods may only be returned direct to us if they were purchased direct from us (customer must prove if necessary). Otherwise to be returned to original vendor. Goods

R&G Racing

Unit 1, Shelleys Lane, East Worldham, Alton, Hampshire GU34 3AQ.

Tel: +44 (0)1420 89007 Fax +44 (0)1420 87301 [www.rg-racing.com](http://www.rg-racing.com) Email: [info@rg-racing.com](mailto:info@rg-racing.com)



**NOTICE DE MONTAGE POUR MBP0035BK  
OBTURATEURS DE RETROVISEURS  
BMW S1000RR 2019**



Photo A

**LE KIT CONTIENT LES ARTICLES EN PHOTO ET ETIQUETTES SUR LA PAGE**

LES PARTIES PRÉSENTÉES PEUVENT ÊTRE UNIQUEMENT REPRESENTATIVES POUR LA CLARTE DES INSTRUCTIONS

NE PAS PROCÉDER AU MONTAGE AVANT DE VOUS ÊTRE ASSURÉ QUE TOUTES LES PIÈCES SOIENT PRÉSENTES.

**SVP, LIRE L'ENSEMBLE DE LA NOTICE AVANT DE PROCÉDER AU MONTAGE.**

LA FAÇON DONT LE KIT EST EMBALLÉ NE CORRESPOND PAS FORCÉMENT À LA FAÇON DE MONTER LES  
PIÈCES SUR LA MOTO .

NOTEZ QUE SI LES KITS SONT EMBALLÉS AVEC DES RONDELLES EN CAOUTCHOUC SERVANT À TENIR  
LES COMPOSANTS, CES RONDELLES DOIVENT ÊTRE JETÉES.

**NOTICE DISPONIBLE AU TÉLÉCHARGEMENT SUR : [WWW.RG-RACING.COM](http://WWW.RG-RACING.COM)**

R&G Racing

Unit 1, Shelleys Lane, East Worldham, Alton, Hampshire GU34 3AQ.

Tel: +44 (0)1420 89007 Fax +44 (0)1420 87301 [www.rg-racing.com](http://www.rg-racing.com) Email: [info@rg-racing.com](mailto:info@rg-racing.com)

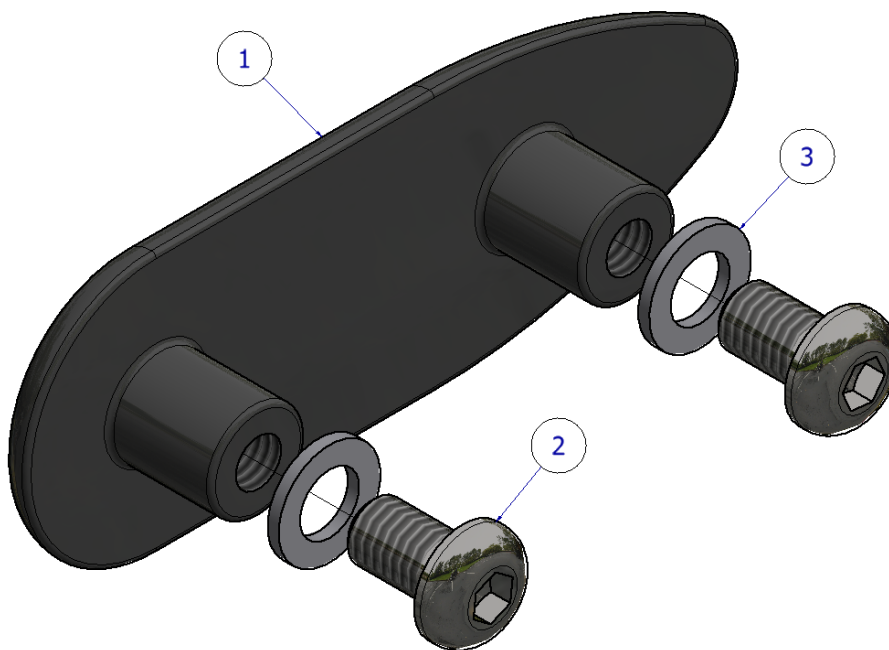


<b>OUTILS REQUIS</b>	<b>VALEURS DE SERRAGE</b>
<ul style="list-style-type: none"> <li>Clé à cliquet + douille 10mm</li> <li>Clé Allen 4 mm</li> </ul>	M4 BOULON = 8Nm M5 BOULON = 12Nm M6 BOULON = 15Nm M8 BOULON = 20Nm M10 BOULON = 40Nm M12 BOULON = 40Nm

### **LEGENDE**

<b>ARTICLE No.</b>	<b>DESCRIPTION</b>	<b>QTE</b>
ARTICLE 1	BLPM0094 OBTURATEUR RETROVISEUR	2
ARTICLE 2	M6 x 10mm BOULONS	4
ARTICLE 3	M6 RONDELLES (16mm)	4

### **SCHEMA DE MONTAGE**



### **NOTICE DE MONTAGE**

- Retirez la paire d'écrous fixant chaque rétroviseur d'origine à l'aide d'une douille de 10 mm, puis retirez les deux rétroviseurs.
- Placez un obturateur de rétroviseur (article 1) dans chacun des trous de montage de rétroviseur vacants, avec l'extrémité la plus étroite dirigée vers le haut.
- Placez une rondelle (article 3) sur chacun des boulons M6 (article 2) et fixez les obturateurs de rétroviseur à l'aide d'une clé Allen de 4 mm.

ISSUE 1 - 04/09/2019 (FB)

R&amp;G Racing

Unit 1, Shelleys Lane, East Worldham, Alton, Hampshire GU34 3AQ.

Tel: +44 (0)1420 89007 Fax +44 (0)1420 87301 [www.rg-racing.com](http://www.rg-racing.com) Email: [info@rg-racing.com](mailto:info@rg-racing.com)



**MONTAGEANLEITUNG FÜR MBP0035BK SPIEGEL-VERSCHLUSSPLATTEN  
BMW S1000RR 2019**



Abbildung A

**ALLE KIT-TEILE SIND UNTEN ABGEBILDET UND GEKENNZEICHNET.**

DIE ABGEBILDETEN TEILE DIENEN LEDIGLICH ZUR ERKLÄRUNG.

ÜBERPRÜFEN SIE ZUERST, DASS ALLE TEILE VORHANDEN SIND.

LESEN SIE DIE MONTAGEANLEITUNG KOMPLETT DURCH, BEVOR SIE ANFANGEN.

**WENN SIE BEI DER MONTAGE DIESES PRODUKTES UNSICHER SIND , BITTE EINEN  
UNSERER HÄNDLER KONTAKTIEREN ODER DAS KIT VON EINEM QUALIFIZIERTEN  
ZWEIRAD-MECHANIKER MONTIEREN LASSEN.**

DIE VERPACKUNG DER TEILE STELLT NICHT DIE REIHENFOLGE DER MONTAGE DAR.

HINWEIS FÜR KITS MIT PLASTIKUNTERLEGSCHIEBEN AN DEN SCHRAUBEN –  
DIESE PLASTIK-UNTERLEGSCHIEBEN WERDEN NICHT FÜR DEN EINBAU BENÖTIGT!

**EINE DIGITALE VERSION DIESER MONTAGEANLEITUNG KANN AUF  
FOLGENDER SEITE HERUNTERGELADEN WERDEN:**

[WWW.RG-RACING.COM](http://WWW.RG-RACING.COM)

R&G Racing

Unit 1, Shelleys Lane, East Worldham, Alton, Hampshire GU34 3AQ.

Tel: +44 (0)1420 89007 Fax +44 (0)1420 87301 [www.rg-racing.com](http://www.rg-racing.com) Email: [info@rg-racing.com](mailto:info@rg-racing.com)

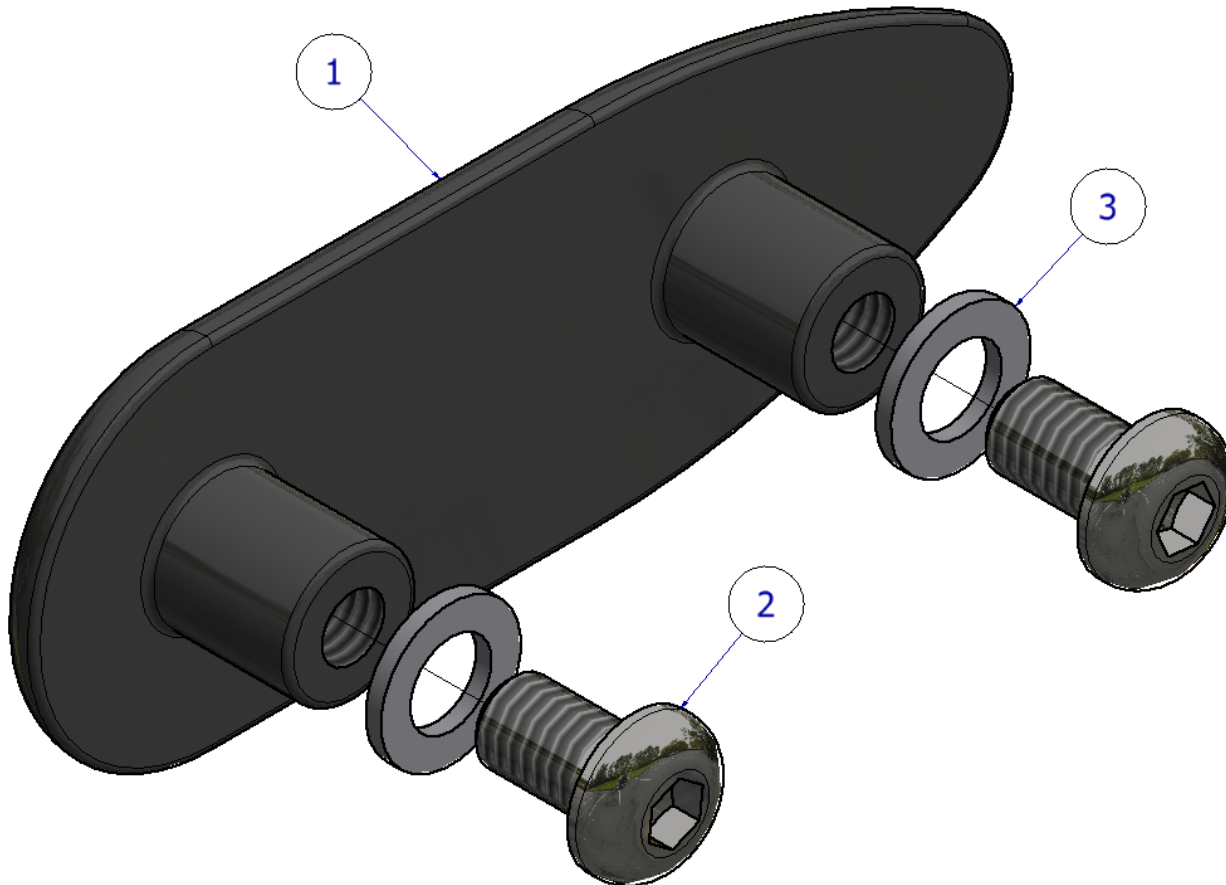


<b>SIE BENÖTIGEN FOLGENDES WERKZEUG</b>	<b>ALLGEM. ANZUGSDREHMOMENT</b>
<ul style="list-style-type: none"> <li>• 10mm A/F Steckschlüssel</li> <li>• 4mm A/F Inbusschlüssel</li> </ul>	M4 SCHRAUBE = 8Nm M5 SCHRAUBE = 12Nm M6 SCHRAUBE = 15Nm M8 SCHRAUBE = 20Nm M10 SCHRAUBE = 40Nm M12 SCHRAUBE = 40Nm

### **LIEFERUNG**

<b>ARTIKEL-NR.</b>	<b>DESCRIPTION</b>	<b>MENGE</b>
ARTIKEL 1	BLPM0094 SPIEGEL-VERSCHLUSSPLATTE	2
ARTIKEL 2	M6 x 10mm KUNSTSTOFF INBUSSCHRAUBEN	4
ARTIKEL 3	M6 UNTERLEGSCHIEBE (16mm O/D)	4

### **EXPLOSIONSZEICHNUNG ZUSAMMENBAU**



R&G Racing

Unit 1, Shelleys Lane, East Worldham, Alton, Hampshire GU34 3AQ.

Tel: +44 (0)1420 89007 Fax +44 (0)1420 87301 [www.rg-racing.com](http://www.rg-racing.com) Email: [info@rg-racing.com](mailto:info@rg-racing.com)



## **MONTAGEANLEITUNG**

- Entfernen Sie die Muttern, die die original Spiegel befestigen mit einem 10mm Steckschlüssel und entfernen Sie beide Spiegel.
- Die Spiegel-Verschlussplatten (Artikel 1) in den freien Montageöffnungen montieren, das schmale Ende jeweils nach oben gerichtet.
- Eine Unterlegscheibe (Artikel 3) an jeder M6 Schraube (Artikel 2) anbringen und die Spiegel-Verschlussplatten mit einem 4mm Inbusschlüssel befestigen.

AUSGABE 1 - 04/09/2019 (FB)

R&G Racing

Unit 1, Shelleys Lane, East Worldham, Alton, Hampshire GU34 3AQ.

Tel: +44 (0)1420 89007 Fax +44 (0)1420 87301 [www.rg-racing.com](http://www.rg-racing.com) Email: [info@rg-racing.com](mailto:info@rg-racing.com)