



MODEL KAWASAKI Z900

YEAR 2017 -->

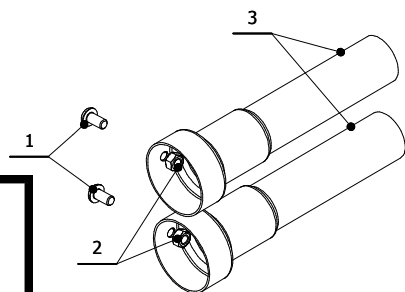
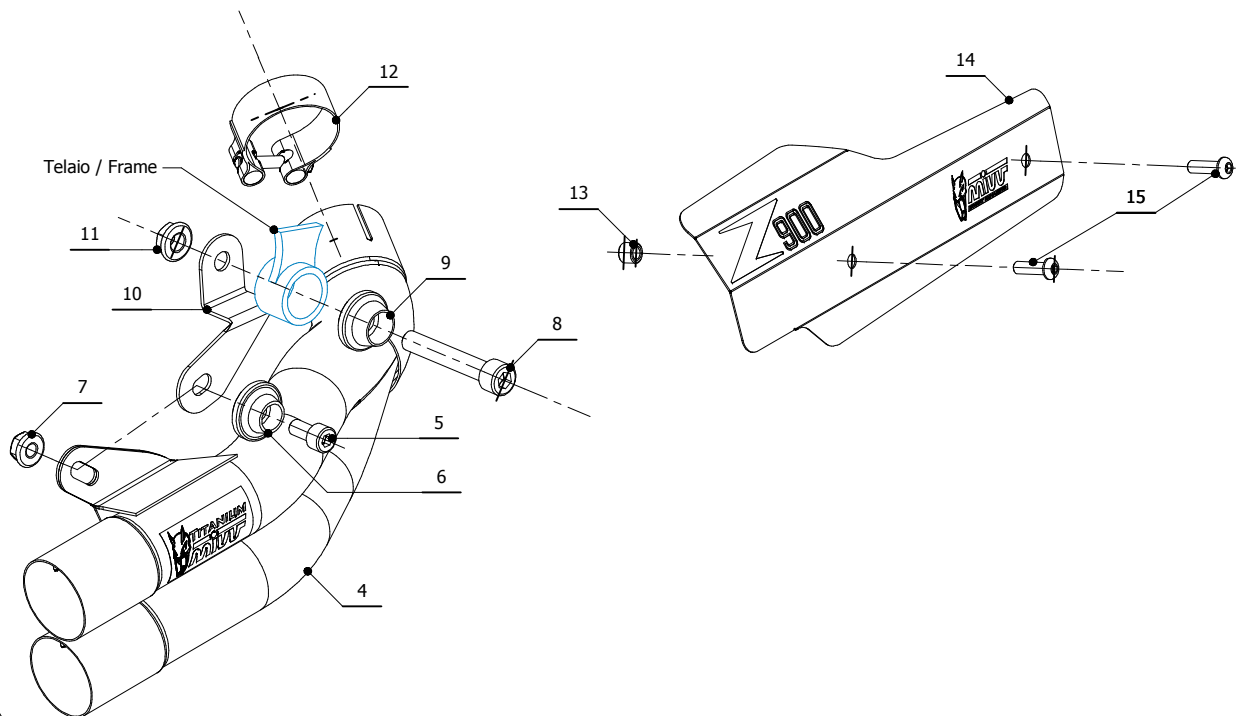
LINE SLIP ON

MUFFLER DOUBLE GUN

SCHEMATIC

ELENCO PARTI / PARTS LIST

#	QTÀ / QTY	DESCRIZIONE / DESCRIPTION	CODICE / CODE
1	2	Vite M5 x 8 / Screw M5 x 8	50.73.459.1
2	2	Dado M5 / M5 nut	50.73.267.1
3	2	DB killer / DB killer	50.DK.059.0
4	1	Silenziatore / Muffler	DOUBLE GUN
5	1	Vite M8x16 / Screw M8x16	50.73.575.1
6	1	Rondella in alluminio nera M8 / Black aluminium washer M8	50.73.221.1
7	1	Dado M8 flangiato / Flanged nut M8	50.73.393.1
8	1	Vite M10x60 / Screw M10x60	50.73.135.1
9	1	Rondella in alluminio nera M10 / Black aluminium washer M10	50.73.330.1
10	1	Staffa / Bracket	50.SS.991.0
11	1	Dado M10 flangiato / Flanged nut M10	50.73.332.1
12	1	Fascetta Ø 48/51 mm / Pipe clamp Ø 48/51 mm	50.FA.007.1
13	1	Distanziale in alluminio / Aluminium spacer (Øe.10 Øi.6 h.8)	50.73.759.1
14	1	Cover acciaio / Steel cover	50.CR.037.0
15	2	Vite M6 x 20 / Screw M6 x 20	50.73.827.1



APPLICAZIONI / APPLICATIONS

CODICE / CODE	TUBO / PIPE	SILENZIATORE / MUFFLER
K.045.LDG	////	TITANIO / TITANIUM