



C-RACER
www.c-racer.com

INSTRUCTION

Page 1/2

Model	Product	Code
KTM 390/290 Adventure	Fork Guard	FG-KTM390ADV-O & W

CONTENTS

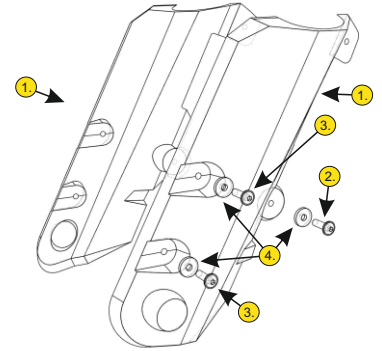
1. 2pcs Plastic Covers
2. 2pcs screws M6X20 (allen-round head-washer)
3. 4pcs screws M6X15 (allen-round head-washer)
4. 6pcs plastic washers 6X18



FG-KTM390ADV-W



FG-KTM390ADV-O



On these instructions the photographs and the description refer to the left side, the same thing applies for the right side.

Remove the front fender from the three side screws. To remove it you have to rotate a little to pass between the fork guards.

Install the covers and mount them with the new screws. Do the same thing on the other side.



INSTALLATION OF STICKERS

It is better to be placed by professionals.
If you think you have the skills, then follow the Instructions.
Clean the surface very well.

Spray with soap and water lightly all over the surface.
Remove the protective paper from the sticker and spray this too and place it on the surface.
Adjust its position so that it is in the center and check its position back and forth.

Once you make sure it is in the right place then start pushing in the center so that it sticks only there.
Then with a soft spatula start to dispense the water and bubbles to the outside.
You can heat it very lightly and carefully to help trapped bubbles to go outside.
When all the water has left the sticker, press very well the edges.
Wipe it very well and continue with the other pieces.

The result will be what you see in the photo.



Thank you for choosing one of our products.

If you want to complete the look of your motorcycle, it would be good to get the mudguard as well, this way you will also protect from the mud and the dirt that goes to the fridge and the exhaust of the motorcycle. Of course, this is optional.

The product is for race use only

For any further information please do not hesitate to contact us: Tel.: +30 2108075387 Email: info@c-racer.com