



C-RACER
www.c-racer.com

INSTRUCTION

Page 1/2

Model	Product	Code
KTM 390/290 Adventure	Front Fender	FF-KTM390ADV-O & W

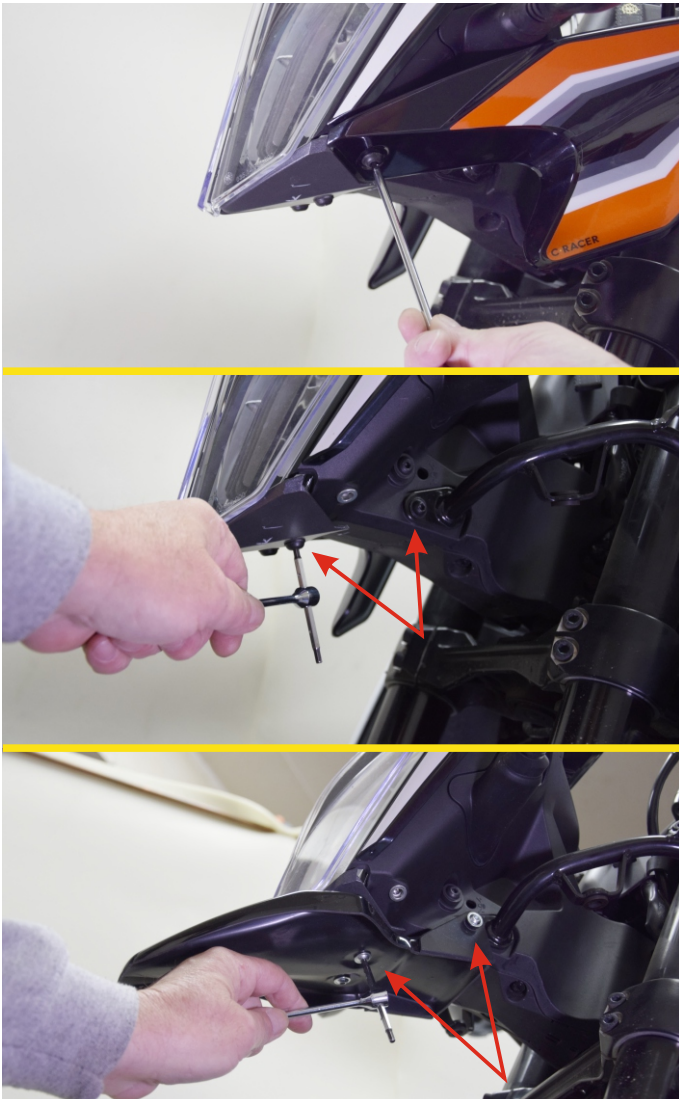
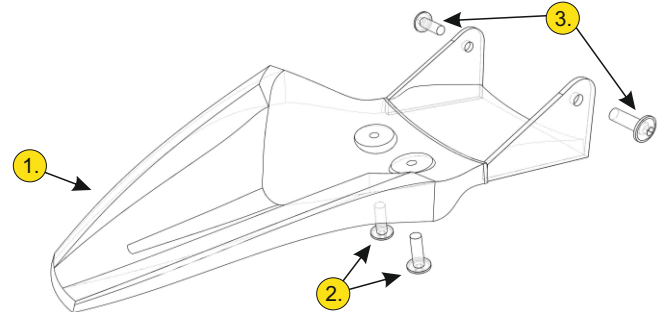
CONTENTS

1. 1pcs Front Fender
2. 2pcs screws M6X15 (allen-round head-washer)
3. 2pcs screws M6X20 (allen-round head-washer)

FF-KTM390ADV-O



FF-KTM390ADV-W



Remove the side cover to create more space so you can work.

Attention: after you remove the two screws you must push the piece upwards to remove it, because there is a third support point.

Remove the two screws under the light and the two that hold the metallic base of the side cover.

Fit the fender with the new screws (according to the blueprint), screw the fender.

Replace the side cover and your job is finished.

INSTALLATION OF STICKERS



It is better to be placed by professionals.
If you think you have the skills, then follow the Instructions.
Clean the surface very well.

Spray with soap and water lightly all over the surface.
Remove the protective paper from the sticker and spray this too and place it on the surface.
Adjust its position so that it is in the center and check its position back and forth.

Once you make sure it is in the right place then start pushing in the center so that it sticks only there.
Then with a soft spatula start to dispense the water and bubbles to the outside.
You can heat it very lightly and carefully to help trapped bubbles to go outside.
When all the water has left the sticker, press very well the edges.



The result will be what you see in the photo.
Thank you for choosing our company's products!

The product is for race use only

For any further information please do not hesitate to contact us: Tel.: +30 2108075387 Email: info@c-racer.com