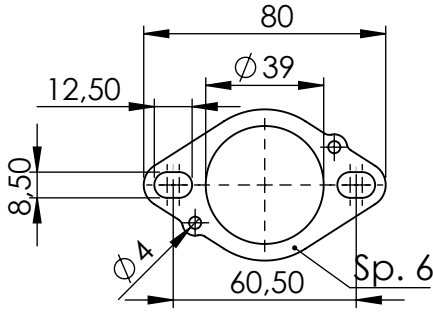
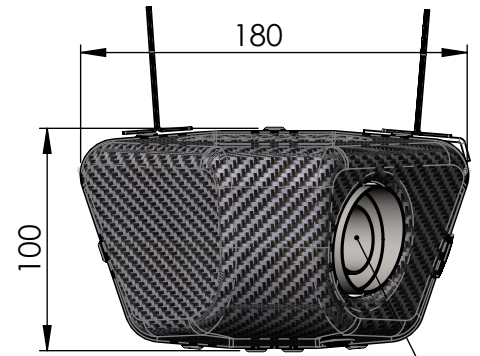


Bushing
Cod.206060



Flange "158A"
Cod.206061



Db-Killer Ø32 N°47
Cod.308232801

N°2 Knurled collar nut M8
Cod.200298

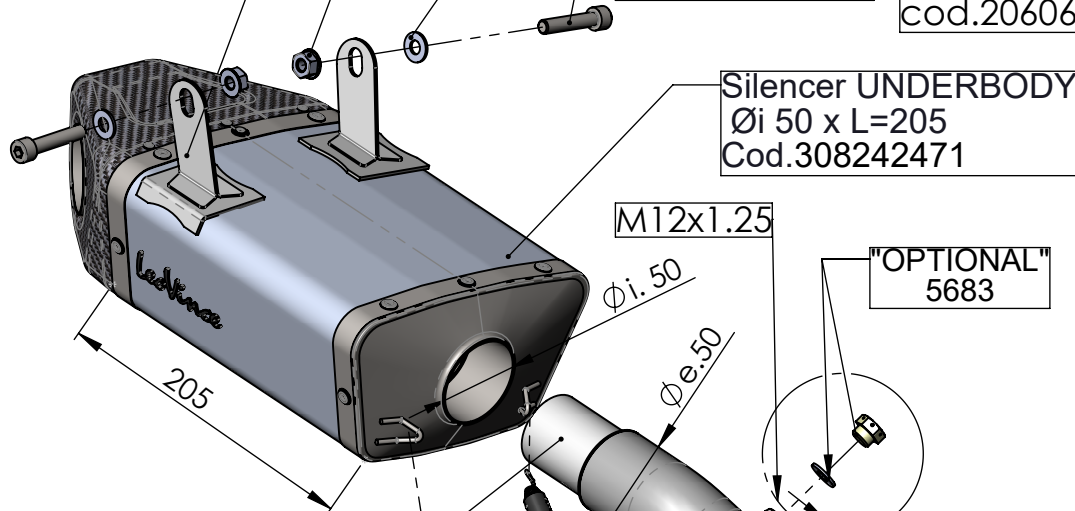
N° 2 Plain washer
8x24
Cod.200321

Aisi 304 Stainless-Steel
removable flange
cod.206061

(E13) 92R - 01 10417

N°2 Allen screw
M8X40 T.C.E.I.
Cod.200993

Aisi 304 Stainless-Steel
removable cylinder bushing
cod.206060



Silencer UNDERBODY
Øi 50 x L=205
Cod.308242471

M12x1.25

"OPTIONAL"
5683

CATALYTIC CONVERTER
WITH WELDED RING
cod.3014170810

N°6 Short helical spring
tensile
Cod.303949001

Pipe 2/1 - stainless steel
Cod.3014322206

Pipe N°2 stainless s.
Cod.3014322202

Pipe N°1 stainless s.
Cod.3014322201

ART. 14322K

KAWASAKI VERSYS 650 (also fits 35 kW version)

FULL SYSTEM 2/1 "UNDERBODY" - S. STEEL - APPROVED