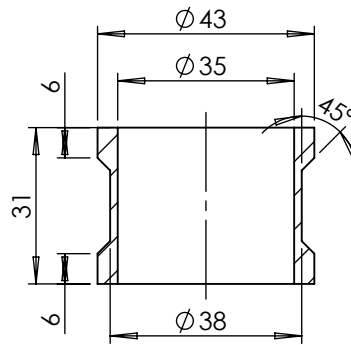
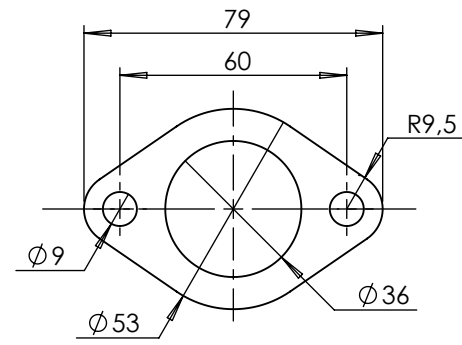


Db-killer N°59
Cod.3014228801



Bushing
Cod.206279



Flange Sp. 6 mm
Cod.206285

E13 92R - 01 10423

Carbon bracket FM4S
Cod.307572505

Plain washer $\phi 6 \times \phi 12$
Cod.200291

Spherical cap nut
M6 Cod.201181

S.S. Bracket
PROD. cod.3014298501
PURCH. cod.206533

Pipe N°5
Cod.3014298210

CATALYTIC
CONVERTER

2x Knurled collar nut
M8 Cod.200298

Pipe N°1
Cod.3014298201

4 S.s. Busher
Cod.206279

4 S.s. Flange
Cod.206285

"OPTIONAL"
Cod.5683

LV ONE EVO S.s.
 $\phi 50 \times 270$
Cod.3014228481

Alluminium
spacer
 $\phi 27 \times 8.5$
Cod.204321

Allen screw
M8X20 T.C.E.I.
Cod.200722

Allen screw
M8X45 T.C.E.I.
Cod.201450

Pipe 4/2/1
Cod.3014298206

6x Short helical spring
tensile Cod.303949001

Pipe N°4
Cod.3014298204

Pipe N°3
Cod.3014298203

Pipe N°2
Cod.3014298202

WARNING

it is advisable to optimize the carburation by remapping the stock ECU or by adopting an additional ECU unit.

ART. 14298EK

HONDA CB 650 R Neo Sport Cafè

(also fit 35kW version) (Fitting with original under cowl requires optional kit LeoVince Art.80004)

FULL SYSTEM 4/2/1 - LV ONE EVO - STAINLESS S.