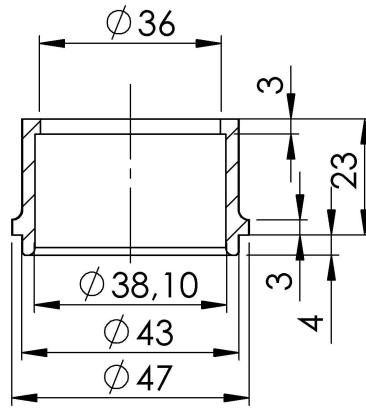
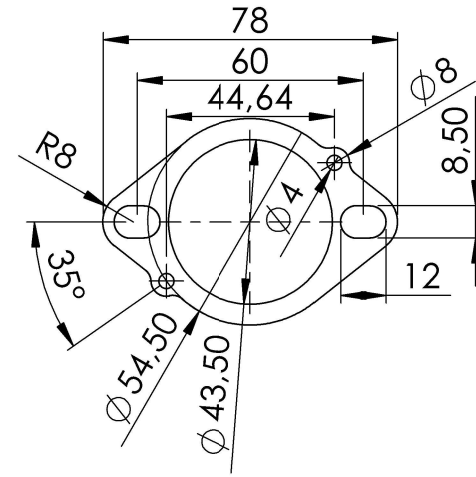




**BUSHER STAINLESS S.  
COD.204870**



**FLANGE STAINLESS S.  
COD.204448**



LV one evo Carbon  
Øi 50 RHS  
Cod.3014229481

N°2 Aluminium spacer  
Ø 27x8,5x11  
Cod. 204321

N°3 Aisi 304  
stainless steel flange  
Cod.204448

N°3 Stainless Steel  
Busher 38,1X36X27  
Cod.204870

N°7 Short helical spring  
tensile  
Cod.303949001



Allen screw M8X25  
T.C.Z.B.  
Cod.200314

Plain washer 8x24  
Cod.200321

Stainless s. bracket  
Prod. Cod.3014228501  
Purch. Cod.206419

Allen screw M8X35  
T.C.Z.B.  
Cod.200319

N°3 Knurled collar nut M8  
Cod.200298

Pipe N°2  
Cod.301403202

"OPTIONAL"  
M18

Allen screw M8X16  
T.C.Z.B.  
Cod.200360

Pipe N°1  
Cod.3014032201

Pipe N°3  
Cod.301403203

Pipe 3/1  
Cod.3014228205

## Art. 14229E

YAMAHA MT09/SP - MT09 TRACER/GT (Fits also with centre stand) - XSR900

FULL SYSTEM 3/1 - LV ONE EVO - CARBON.