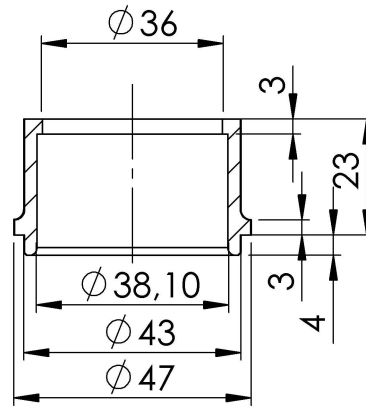
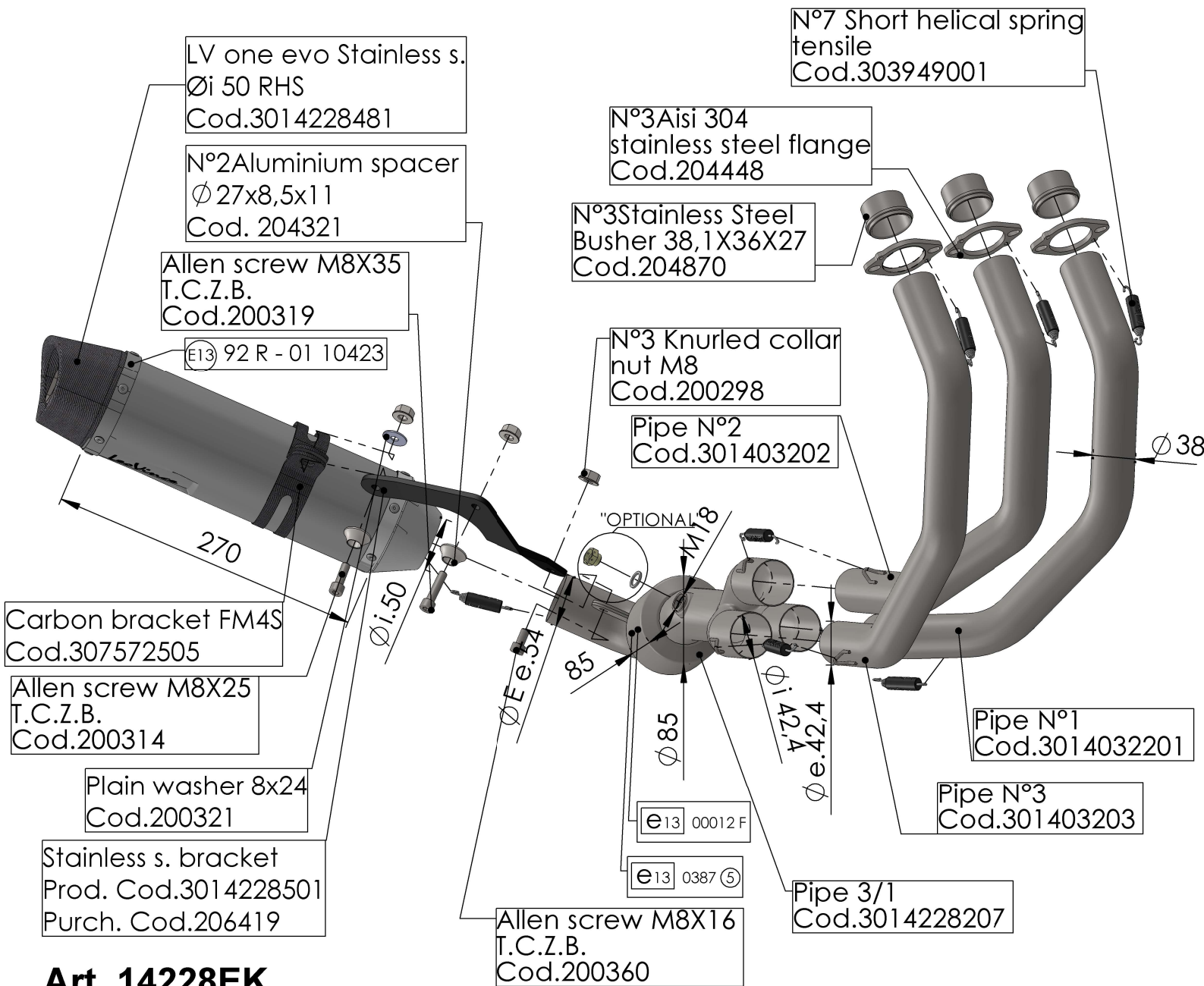
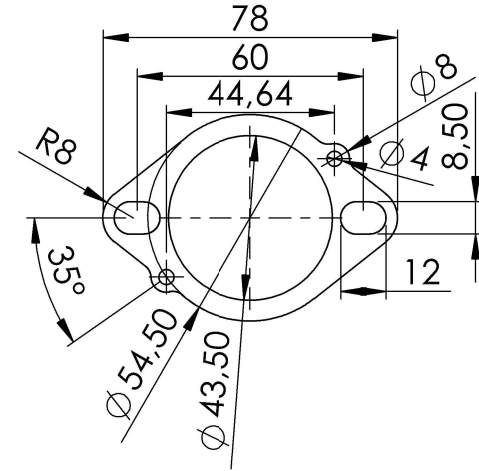


**BUSHER STAINLESS S.
COD.204870**



**FLANGE STAINLESS S.
COD.204448**



Art. 14228EK

YAMAHA MT09/SP - MT09 TRACER/GT (Fits also with centre stand) - XSR900

FULL SYSTEM 3/1 - LV ONE EVO - STAINLESS S. - APPROVED