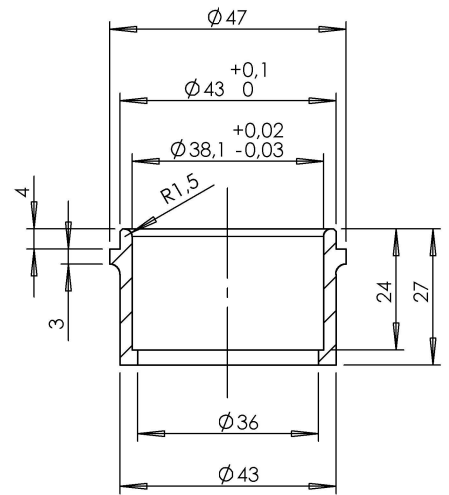
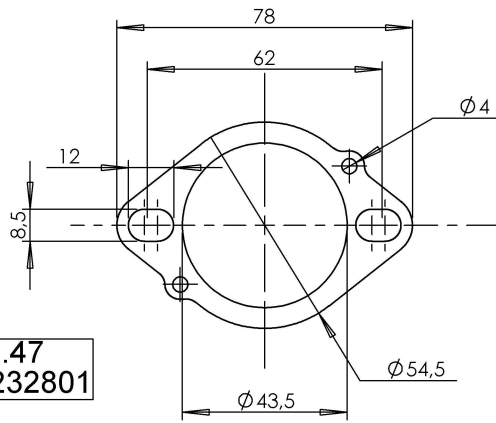


**dB-killer n.47**  
Cod. 308232801



**2 Allen screw**  
M8x40 T.C.E.I. Z.B.  
Cod. 200993

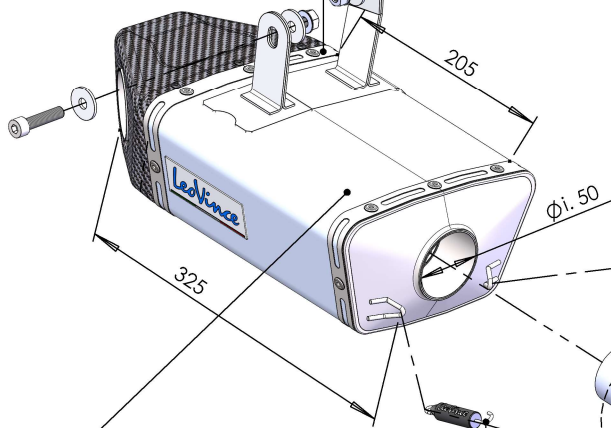
**4 Plain Washer 8x24**  
Cod. 200321

**2 Knurled nut M8**  
Cod. 200298

**E13 92R - 01 10417**

**3 Flange "47D"**  
Cod. 204448

**3 INOX busher**  
Cod.204870



**Underbody Silencer**  
Cod. 3014156471

**Short helical spring tensile**  
Cod.303949001

**CATALYTIC CONVERTER**

**Pipe 3 in 1**  
Cod.3014156201

**"OPTIONAL"**  
Cod.5681

**e13 00043 F**

**Pipe n°3 (DX) Inox**  
Cod.3014032203

**Pipe n°2 Inox**  
Cod.3014032202

**Pipe n°1 (SX) Inox**  
Cod.3014032201

# ART. 14156K

**YAMAHA XSR900 - MT09**

**FULL SYSTEM 3/1 - "UNDERBODY" - APPROVED**