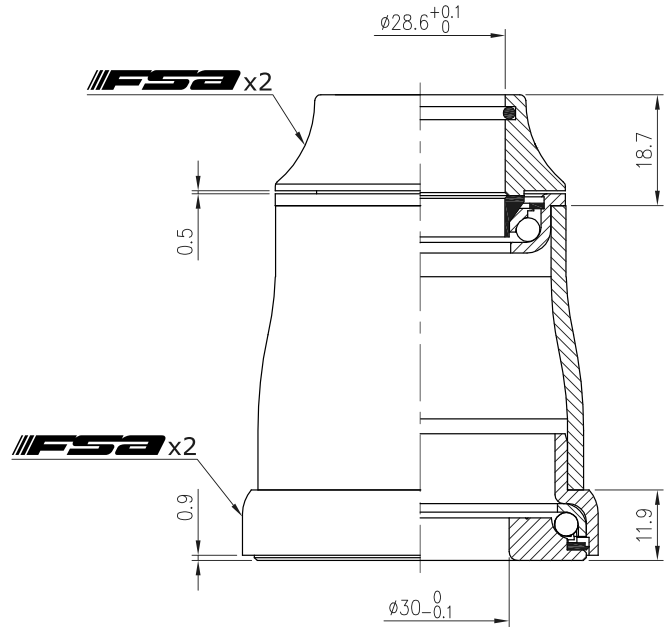
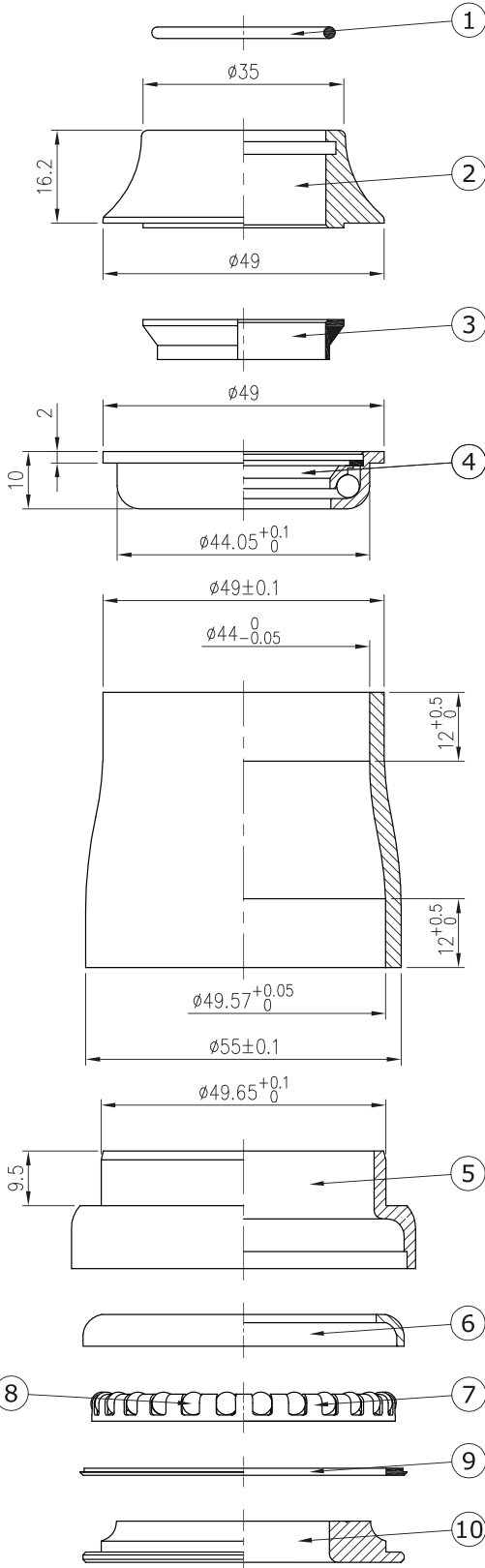


Internal Headset

FSA DLR (I/E)

NO.11N/NO.60AL-1

1-1/8", semi-cartridge type-Upper Retainer bearings-Lower



Stack Height 18.7+11.9=30.6



Custom cone spacer		
Item No	T	Stack Height
H2203A	8.2mm	22.6mm
H2203G	21.2mm	35.6mm
H2203H	26.2mm	40.6mm
H2203I	31.2mm	45.6mm



Weight - 188 grams

- For tapered 49mm / 55mm OD headtube
- 1-1/8" steerer
- Alloy top cover
- Steel upper cup with forged alloy lower cup
- Upper : Semi-cartridge bearing
- Lower : 1.5" Ø5/32"x26 retainer bearings

No	Item No	Material	Qty
10	H6051{NO.60-6}	Steel	1PCS
9	MS096{NO.60-4-6}	Rubber	1PCS
8	MR001{Ø5/32"}	Chrome steel	26PCS
7	MR071{Ø5/32"x26}	Steel	1PCS
6	H7037{NO.60AL}	Steel	1PCS
5	H4082{NO.60AL-4-5}	Alloy	1PCS
4	MR083{NO.11Q}	Chrome steel	1SET
3	H2036{NO.5-2}	Nylon	1PCS
2	H2203F{NO.11N-2}	Alloy	1PCS
1	MS053{872}	Rubber	1PCS

