



FITTING INSTRUCTIONS FOR DG0046SS DOWNPIPE GRILLE
TRIUMPH TIGER 850 SPORT 2021-



PICTURE A

THIS KIT CONTAINS THE ITEMS PICTURED AND LABELLED OVER PAGE.

SOME PARTS MAY BE SHOWN FOR CLARITY OF INSTRUCTIONS ONLY.

DO NOT PROCEED UNTIL YOU ARE SURE ALL PARTS ARE PRESENT.

PLEASE READ ALL INSTRUCTIONS BEFORE PROCEEDING.

**IF IN ANY DOUBT WHEN FITTING OUR PRODUCTS, CONSULT ONE OF
OUR DEALERS OR HAVE FITTED BY A QUALIFIED TECHNICIAN.**

PLEASE NOTE THAT THE WAY THE KIT IS PACKED DOES NOT NECESSARILY REPRESENT THE
WAY OF MOUNTING TO THE BIKE.

IN THE EVENT OF RUBBER WASHERS BEING USED TO HOLD COMPONENTS ONTO BOLTS,
THESE RUBBER WASHERS CAN BE THROWN AWAY.

DIGITAL COPIES OF THESE INSTRUCTIONS ARE AVAILABLE FROM:

WWW.RG-RACING.COM



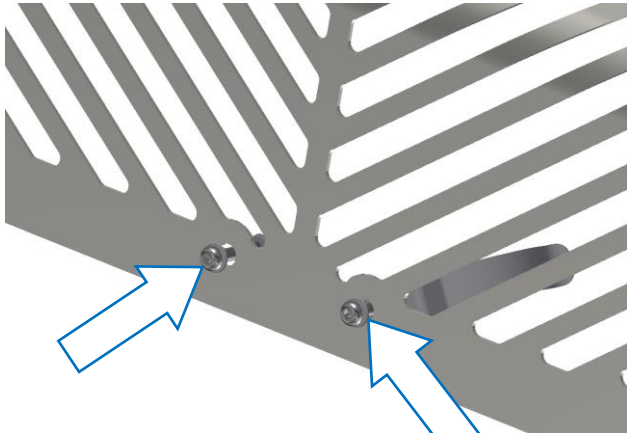
<u>TOOLS REQUIRED</u>	<u>GENERAL TORQUE SETTINGS</u>
<ul style="list-style-type: none"> • Set of metric Allen keys. • 6mm Spanner. 	<p>M4 BOLT = 8Nm M5 BOLT = 12Nm M6 BOLT = 15Nm M8 BOLT = 20Nm M10 BOLT = 40Nm M12 BOLT = 40Nm</p>

LEGEND

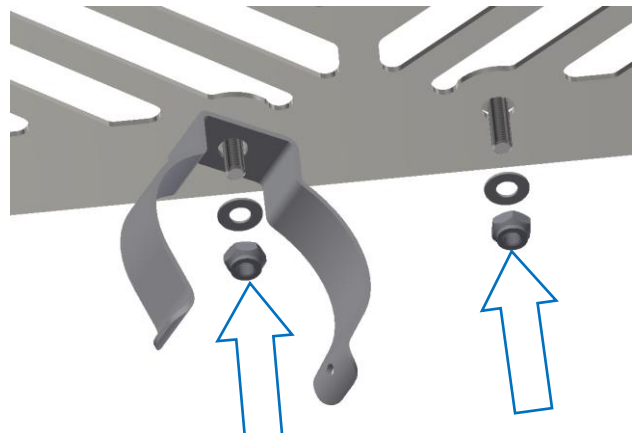
ITEM NO.	DESCRIPTION	QTY
ITEM 1	DOWNPIPE GRILLE (DG0046SS)	1
ITEM 2	M3 x 10 LONG BUTTON HEAD BOLTS	2
ITEM 3	M3 WASHERS	4
ITEM 4	M3 NYLOC NUTS	2
ITEM 5	45mm SPRING CLAMP	1
ITEM 6	100mm LENGTHS OF SELF-ADHESIVE FOAM	2



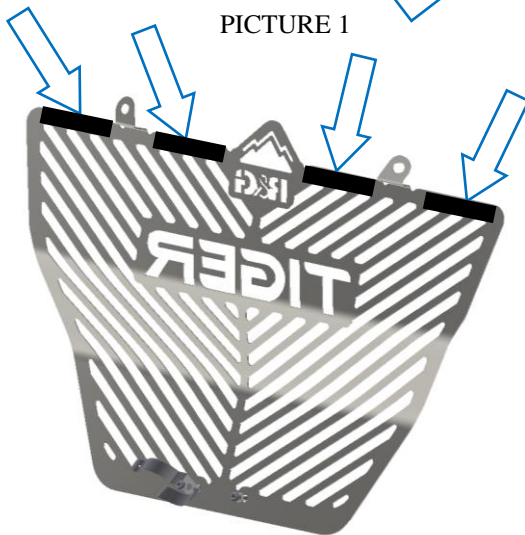
COMPONENT PARTS



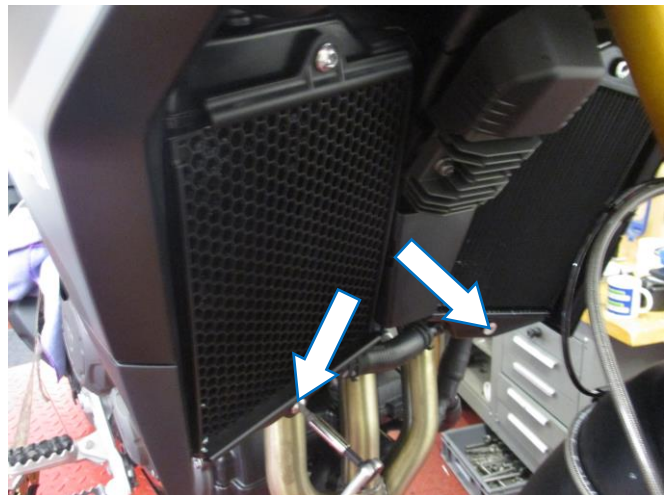
PICTURE 1



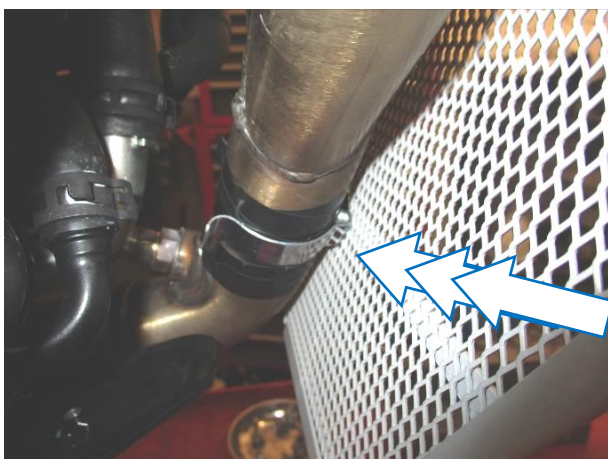
PICTURE 2



PICTURE 3



PICTURE 4



PICTURE 5



PICTURE 6

R&G



FITTING INSTRUCTIONS

- Place one of the M3 washers (**item 3**) onto each of the two M3 bolts (**item 2**) and place through the holes in the downpipe grille (**item 1**) as shown in **picture 1**.
- Place the spring clip (**item 5**) onto the exposed end of the left-hand side bolt (looking from the back of the grille) and secure in position using one the remaining M3 washers (**item 3**) and one of the M3 self-locking nut (**item 4**) (do not fully tighten at this stage) as shown in **picture 2**.
- Place the remaining washer (**item 3**) onto the exposed end of the right-hand side bolt (looking from the back of the grille) and secure in position using the remaining M3 self-locking nut (**item 4**) and tighten as shown in **picture 2**.
- To fit the radiator guard to the bike, first cut the self-adhesive foam strip provided (**item 6**) into 8mm wide strips and stick them to the back of the downpipe grille frame (**item 1**), so that they will sit between the down pipe grille and the radiator as shown in **picture 3**.
- Remove the two bolts arrowed in **picture 4**.
- Offer the downpipe grille into position pushing the spring clip onto the downpipes and re-use original bolts to secure the downpipe grille in position as shown in **pictures 5 and 6**.
- Fully tighten the spring clip when satisfied with the positioning.

ISSUE 1 29/04/2021 (NSY)

CONSUMER NOTICE

The catalogue description and any exhibition of samples are only broad indications of the Products and R&G may make design changes which do not diminish their performance or visual appeal and supplying them in such state shall conform to the order. The Buyer acknowledges no representation or warranty (other than as to title) has been given or will apply to the Products other than those in R&G's order or confirmation and the Buyer confirms it has chosen the Products as being of merchantable quality and suitable for its particular purposes. Where R&G fits the Products or undertakes other services it shall exercise reasonable skill and care and rectify any fault free of charge unless the workmanship has been disturbed. The Buyer is responsible for ensuring that the warranty on the motorcycle is not affected by the fitting of the Products. On return of any defective Products R&G shall at its option either supply a replacement or refund the purchase money but shall not be liable if the Products have been modified or used or maintained otherwise than in accordance with R&G's or manufacturer's instructions and good engineering practice or if the defect arises from accident or neglect. Other than identified above and subject to R&G not limiting its liability for causing death and personal injury, it shall not be liable for indirect or consequential loss and otherwise its liability shall be limited to the amounts paid by the Buyer for the Products or the fitting or service concerned. These terms do not affect the Buyer's statutory rights.

R&G RETURNS POLICY (NON-FAULTY GOODS)

Returns must be pre-authorised (if not pre-authorised the return will be rejected). Goods may only be returned direct to us if they were purchased direct from us (customer must prove if necessary). Otherwise to be returned to original vendor. Goods must be in re-sellable condition, in the opinion of R&G. All returns are subject to a 25% restocking and handling fee (25% of the gross value exc. P&P – at the prevailing price at time of purchase). The customer must pay any and all carriage charges. No returns of discontinued products, unless within 14 days of purchase. This policy does not affect your statutory rights and does not refer to faulty goods.

R&G

Unit 1, Shelley's Lane, East Worldham, Alton, Hampshire, GU34 3AQ

Tel: +44 (0)1420 89007 Fax: +44 (0)1420 87301 www.rg-racing.com Email: info@rg-racing.com



NOTICE DE MONTAGE POUR DG0046SS
GRILLE DE PROTECTIONS COLLECTEURS D'ÉCHAPPEMENT
TRIUMPH TIGER 850 SPORT 2021-



PHOTO A

CE KIT CONTIENT LES ARTICLES ILLUSTRÉS ET ÉTIQUETES SUR LA PAGE.

CERTAINES PARTIES PEUVENT ÊTRE PRÉSENTES UNIQUEMENT POUR LA CLARTE DES
INSTRUCTIONS.

NE PAS PROCÉDER AU MONTAGE TANT QUE VOUS N'ÊTES PAS SÛR QUE TOUTES LES PIÈCES
SOIENT PRÉSENTES.

VEUILLEZ LIRE TOUTES LES INSTRUCTIONS AVANT DE CONTINUER.

**EN CAS DE DOUTE LORS DU MONTAGE DE NOS PRODUITS, CONSULTEZ
UN DE NOS REVENDEURS OU FAITES APPEL À UN TECHNICIEN
QUALIFIÉ.**

VEUILLEZ NOTER QUE LA FAÇON DONT LE KIT EST EMBALLÉ NE REPRÉSENTE PAS
NECESSAIREMENT LA MANIÈRE DE LE MONTER SUR LA MOTO.

SI DES RONDELLES EN CAOUTCHOUC SONT UTILISÉES POUR MAINTENIR LES COMPOSANTS
SUR LES BOULONS, ELLES PEUVENT ÊTRE JETÉES.

NOTICE DISPONIBLE AU TÉLÉCHARGEMENT SUR :

WWW.RG-RACING.COM



OUTILS REQUIS	VALEURS DE SERRAGE
<ul style="list-style-type: none"> • Clés Allen. • Clé à molette 6mm. 	M4 BOULON = 8Nm M5 BOULON = 12Nm M6 BOULON = 15Nm M8 BOULON = 20Nm M10 BOULON = 40Nm M12 BOULON = 40Nm

LÉGENDE

ARTICLE NO.	DESCRIPTION	QTÉ
ARTICLE 1	GRILLE DE PROTECTION (DG0046SS)	1
ARTICLE 2	M3 x 10 BOULONS	2
ARTICLE 3	M3 RONDELLES	4
ARTICLE 4	M3 ÉCROUS	2
ARTICLE 5	45mm PINCE À RESSORT	1
ARTICLE 6	100mm LONGUEURS DE MOUSSE AUTOCOLLANTE	2



R&G

Unit 1, Shelley's Lane, East Worldham, Alton, Hampshire, GU34 3AQ

Tel: +44 (0)1420 89007 Fax: +44 (0)1420 87301 www.rg-racing.com Email: info@rg-racing.com



COMPOSANTS

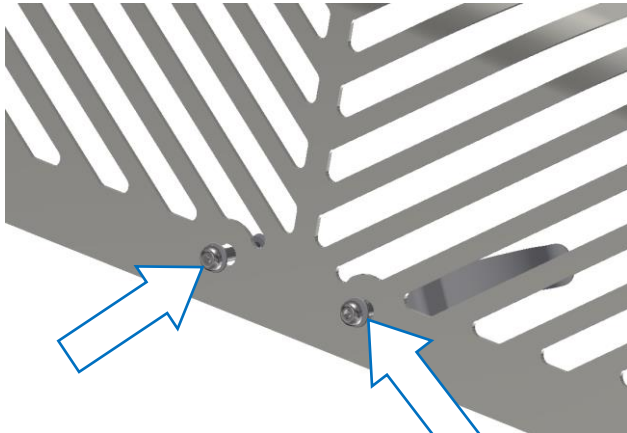


PHOTO 1

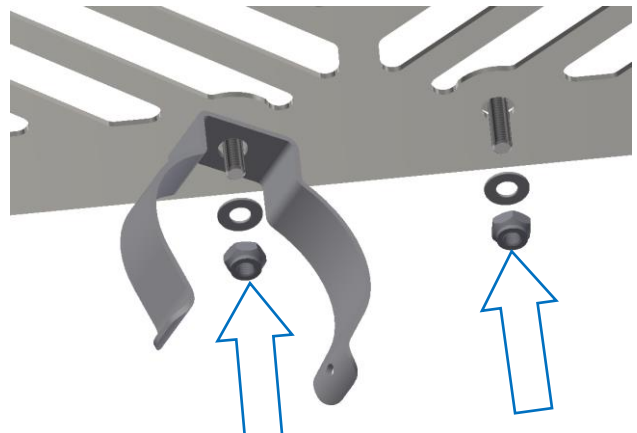


PHOTO 2

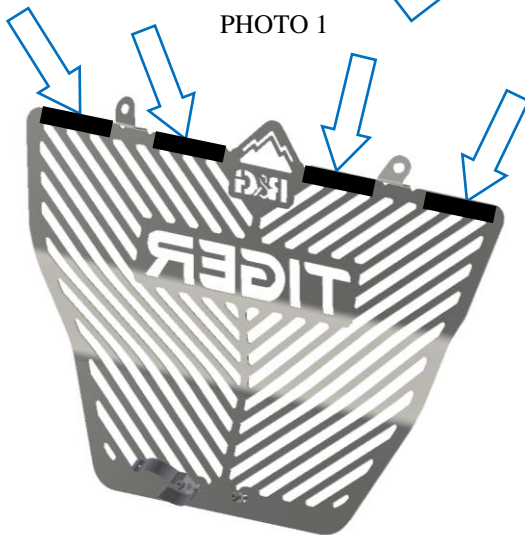


PHOTO 3

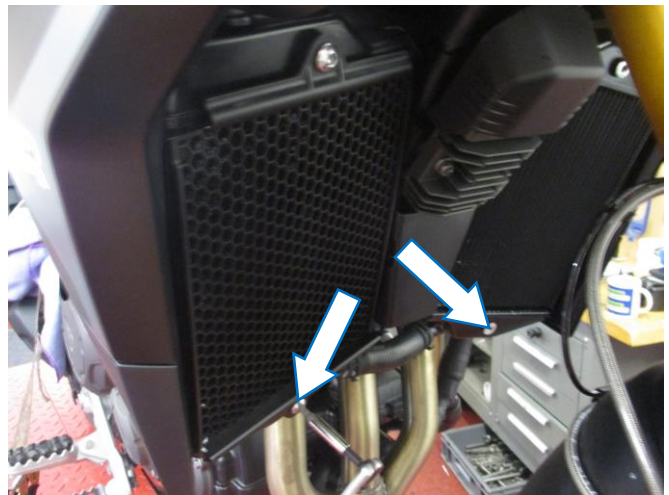


PHOTO 4

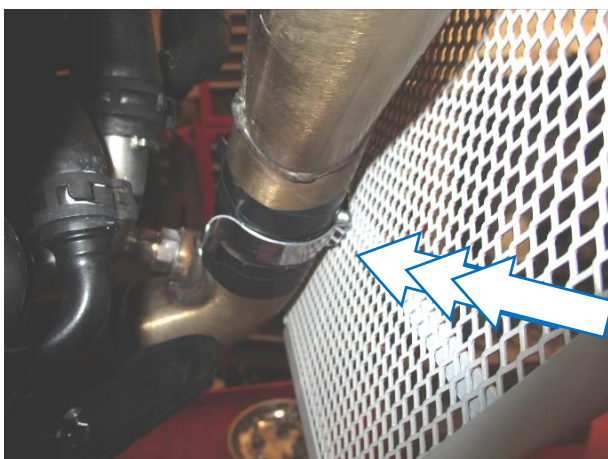


PHOTO 5



PHOTO 6



NOTICE DE MONTAGE

- Placez l'une des rondelles M3 (article 3) sur chacun des deux boulons M3 (article 2) et placez-la à travers les trous de la grille de protection (article 1) comme indiqué sur la photo 1.
- Placez le clip à ressort (article 5) sur l'extrémité exposée du boulon du côté gauche (en regardant de l'arrière de la grille) et fixez-le en place à l'aide de l'une des rondelles M3 restantes (article 3) et de l'une des rondelles M3 contre-écrou (article 4) (ne pas serrer complètement à ce stade) comme indiqué sur la photo 2.
- Placez la rondelle restante (article 3) sur l'extrémité exposée du boulon du côté droit (en regardant de l'arrière de la grille) et fixez-la en place à l'aide de l'écrou autobloquant M3 restant (article 4) et serrez comme indiqué dans photo 2.
- Pour installer la protection de radiateur sur la moto, coupez d'abord la bande de mousse autocollante fournie (article 6) en bandes de 8 mm de large et collez-les à l'arrière du cadre de la grille de protection (article 1), de façon à ce qu'elles reposent entre les grille de protection de radiateur comme indiqué sur la photo 3.
- Retirez les deux boulons indiqués sur la photo 4.
- Mettez la grille de protection en place en poussant le clip à ressort sur les collecteurs d'échappement et réutilisez les boulons d'origine pour fixer la grille de protection en position comme indiqué sur les photos 5 et 6.
- Serrez complètement le clip à ressort lorsque vous êtes satisfait du positionnement.

ISSUE 1 29/04/2021 (NSY)

CONSUMER NOTICE

The catalogue description and any exhibition of samples are only broad indications of the Products and R&G may make design changes which do not diminish their performance or visual appeal and supplying them in such state shall conform to the order. The Buyer acknowledges no representation or warranty (other than as to title) has been given or will apply to the Products other than those in R&G's order or confirmation and the Buyer confirms it has chosen the Products as being of merchantable quality and suitable for its particular purposes. Where R&G fits the Products or undertakes other services it shall exercise reasonable skill and care and rectify any fault free of charge unless the workmanship has been disturbed. The Buyer is responsible for ensuring that the warranty on the motorcycle is not affected by the fitting of the Products. On return of any defective Products R&G shall at its option either supply a replacement or refund the purchase money but shall not be liable if the Products have been modified or used or maintained otherwise than in accordance with R&G's or manufacturer's instructions and good engineering practice or if the defect arises from accident or neglect. Other than identified above and subject to R&G not limiting its liability for causing death and personal injury, it shall not be liable for indirect or consequential loss and otherwise its liability shall be limited to the amounts paid by the Buyer for the Products or the fitting or service concerned. These terms do not affect the Buyer's statutory rights.

R&G RETURNS POLICY (NON-FAULTY GOODS)

Returns must be pre-authorised (if not pre-authorised the return will be rejected). Goods may only be returned direct to us if they were purchased direct from us (customer must prove if necessary). Otherwise to be returned to original vendor. Goods must be in re-sellable condition, in the opinion of R&G. All returns are subject to a 25% restocking and handling fee (25% of the gross value exc. P&P – at the prevailing price at time of purchase). The customer must pay any and all carriage charges. No returns of discontinued products, unless within 14 days of purchase. This policy does not affect your statutory rights and does not refer to faulty goods.

R&G

Unit 1, Shelley's Lane, East Worldham, Alton, Hampshire, GU34 3AQ

Tel: +44 (0)1420 89007 Fax: +44 (0)1420 87301 www.rg-racing.com Email: info@rg-racing.com



MONTAGEANLEITUNG FÜR DG0046SS KRÜMMERSCHUTZGITTER
TRIUMPH TIGER 850 SPORT 2021-



ABBILDUNG A

**ALLE KIT-TEILE SIND AUF DEN NACHFOLGENDEN SEITEN ABGEBILDET UND
GEKENNZEICHNET.**

DIE ABGEBILDETEN TEILE DIENEN LEDIGLICH ZUR ERKLÄRUNG.
ÜBERPRÜFEN SIE ZUERST, DASS ALLE TEILE VORHANDEN SIND.

LESEN SIE DIE MONTAGEANLEITUNG KOMPLETT DURCH, BEVOR SIE ANFANGEN.

**WENN SIE BEI DER MONTAGE DIESES PRODUKTES UNSICHER SIND,
BITTE EINEN UNSERER HÄNDLER KONTAKTIEREN ODER DAS KIT VON
EINEM QUALIFIZIERTEN ZWEIRAD-MECHANIKER MONTIEREN LASSEN.**

DIE VERPACKUNG DER TEILE STELLT NICHT DIE REIHENFOLGE DER MONTAGE DAR.

HINWEIS FÜR KITS MIT PLASTIKUNTERLEGSCHLEIBEN AN DEN SCHRAUBEN –
DIESE PLASTIK-UNTERLEGSCHLEIBEN WERDEN NICHT FÜR DEN EINBAU BENÖTIGT

**EINE DIGITALE VERSION DIESER MONTAGEANLEITUNG KANN AUF
FOLGENDER SEITE HERUNTERGELADEN WERDEN:**

WWW.RG-RACING.COM



SIE BENÖTIGEN FOLGENDES WERKZEUG	ALLGEM. ANZUGSDREHMOMENT
<ul style="list-style-type: none"> Satz Inbusschlüssel 6mm Schraubenschlüssel 	M4 SCHRAUBE = 8Nm M5 SCHRAUBE = 12Nm M6 SCHRAUBE = 15Nm M8 SCHRAUBE = 20Nm M10 SCHRAUBE = 40Nm M12 SCHRAUBE = 40Nm

LIEFERUMFANG

ARTIKEL NR.	BESCHREIBUNG	MENGE
ARTIKEL 1	KRÜMMERSCHUTZGITTER (DG0046SS)	1
ARTIKEL 2	M3 x 10 INBUSSCHLÜSSEL	2
ARTIKEL 3	M3 UNTERLEGSCHIEBE	4
ARTIKEL 4	M3 SELBSTSICHERNDE MUTTER	2
ARTIKEL 5	45mm KLEMMFEDER	1
ARTIKEL 6	100mm SELBSTKLEBENDER SCHAUMSTOFF	2



KIT-TEILE

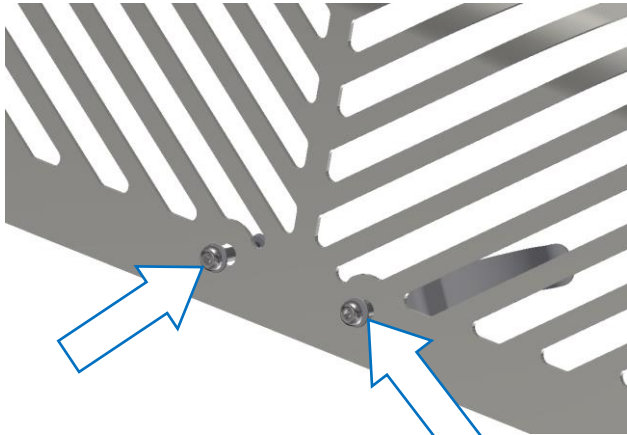


ABBILDUNG 1

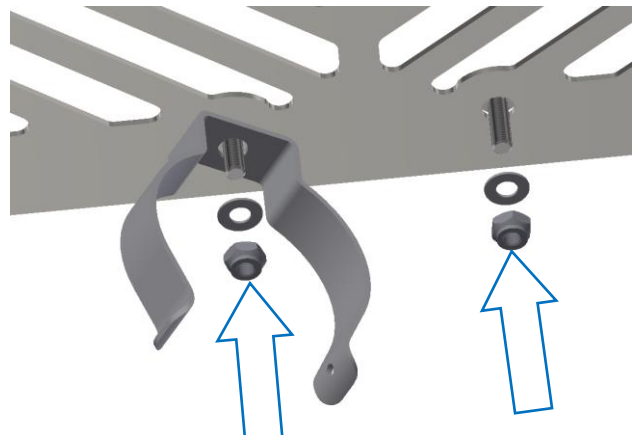


ABBILDUNG 2



ABBILDUNG 3

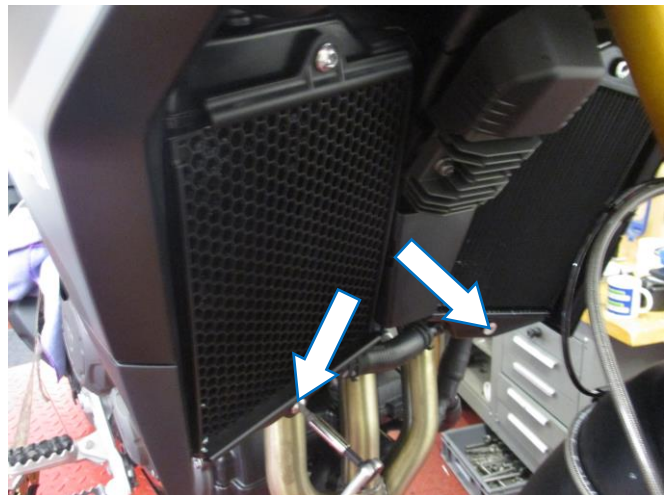


ABBILDUNG 4

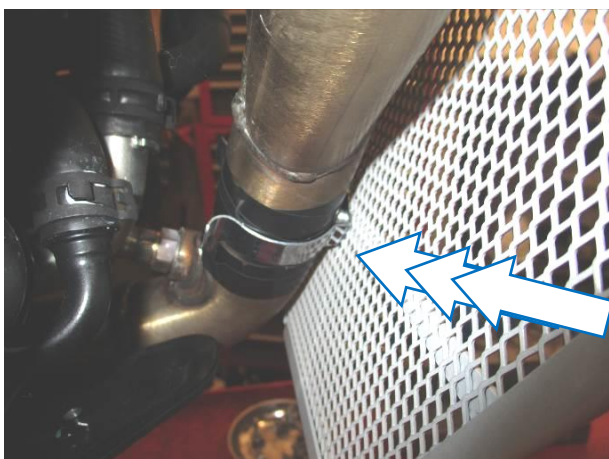


ABBILDUNG 5



ABBILDUNG 6



MONTAGEANLEITUNG

- Jeweils eine M3 Unterlegscheibe (**Artikel 3**) an den zwei M3 Schrauben (**Artikel 2**) anbringen und diese in die Öffnungen im Krümmerschutzgitter (**Artikel 1**) einführen wie in **Abbildung 1** abgebildet
- Die Klemmfeder (**Artikel 5**) am hervorstehenden Ende der linken Schraube (von der Rückseite betrachtet) anbringen und mit einer M3 Unterlegscheibe (**Artikel 3**) und einer M3 selbstsichernden Mutter (**Artikel 4**) in Position sichern (zu diesem Zeitpunkt nicht festziehen) wie in **Abbildung 2** abgebildet.
- Die übrige Unterlegscheibe (**Artikel 3**) am hervorstehenden Ende der rechten Schraube (von der Rückseite betrachtet) und mit der übrigen M3 selbstsichernden Mutter (**Artikel 4**) sichern und befestigen wie in **Abbildung 2** abgebildet.
- Um den Kühlerschutz am Motorrad montieren zu können, schneiden Sie zuerst die mitgelieferten Schaumstoffstreifen (**Artikel 6**) in 10 mm breite Streifen und kleben Sie diese auf der Rückseite des Krümmerschutzgitters (**Artikel 1**), so dass sie zwischen dem Krümmerschutzgitter und dem Kühler angebracht sind (siehe **Abbildung 3**).
- Entfernen Sie die zwei Schrauben, die in **Abbildung 4** markiert sind.
- Das Krümmerschutzgitter in Position bringen, dann die Klemmfeder an den Krümmern anbringen und die Originalschrauben wiederverwenden, um das Krümmerschutzgitter in Position zu befestigen wie in den **Abbildungen 5 und 6** abgebildet.
- Ziehen Sie die Klemmfeder fest, sobald sie richtig positioniert sind.

AUSGABE 1 29/04/2021 (NSY)

CONSUMER NOTICE

The catalogue description and any exhibition of samples are only broad indications of the Products and R&G may make design changes which do not diminish their performance or visual appeal and supplying them in such state shall conform to the order. The Buyer acknowledges no representation or warranty (other than as to title) has been given or will apply to the Products other than those in R&G's order or confirmation and the Buyer confirms it has chosen the Products as being of merchantable quality and suitable for its particular purposes. Where R&G fits the Products or undertakes other services it shall exercise reasonable skill and care and rectify any fault free of charge unless the workmanship has been disturbed. The Buyer is responsible for ensuring that the warranty on the motorcycle is not affected by the fitting of the Products. On return of any defective Products R&G shall at its option either supply a replacement or refund the purchase money but shall not be liable if the Products have been modified or used or maintained otherwise than in accordance with R&G's or manufacturer's instructions and good engineering practice or if the defect arises from accident or neglect. Other than identified above and subject to R&G not limiting its liability for causing death and personal injury, it shall not be liable for indirect or consequential loss and otherwise its liability shall be limited to the amounts paid by the Buyer for the Products or the fitting or service concerned. These terms do not affect the Buyer's statutory rights.

R&G RETURNS POLICY (NON-FAULTY GOODS)

Returns must be pre-authorized (if not pre-authorized the return will be rejected). Goods may only be returned direct to us if they were purchased direct from us (customer must prove if necessary). Otherwise to be returned to original vendor. Goods must be in re-sellable condition, in the opinion of R&G. All returns are subject to a 25% restocking and handling fee (25% of the gross value exc. P&P – at the prevailing price at time of purchase). The customer must pay any and all carriage charges. No returns of discontinued products, unless within 14 days of purchase. This policy does not affect your statutory rights and does not refer to faulty goods.

R&G

Unit 1, Shelley's Lane, East Worldham, Alton, Hampshire, GU34 3AQ

Tel: +44 (0)1420 89007 Fax: +44 (0)1420 87301 www.rg-racing.com Email: info@rg-racing.com