

# SLA

FACTORY ACTIVATED

SLA | READY TO START

## REF BTX7A



**12V** VOLTAGE - V

**105A** CCA - A

**6.3Ah** CAPACITY - Ah (20Hr)

**6Ah** CAPACITY - Ah (10Hr)

### TECHNOLOGY

- Designed according to AGM technology (Absorbed acid)
- VRLA battery type
- Activated and pre-charged batteries
- Homologated by OEM

### FEATURES

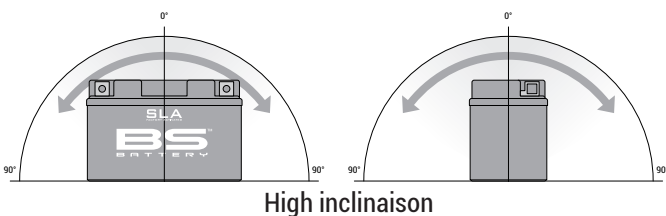
- AGM construction (Absorbed Glass Material)
- VRLA battery (Valve Regulated Lead Acid)
- Factory activated
- Environmentally friendly, spillproof design
- Multi-positional fitment
- Absolutely Maintenance free
- Sealed, no gas emission through venting hole (under normal operation)
- Ready & Easy to use
- No acid handling - Very safe
- Increased power & Extended life
- Extreme vibration resistance

### UPGRADE FOR

### WEIGHT

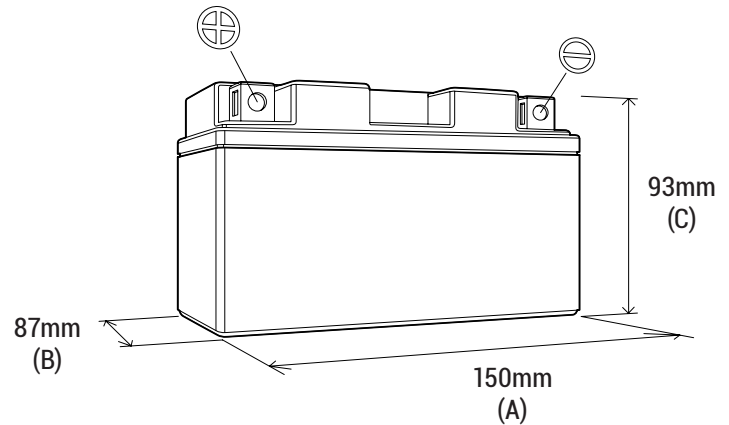
Battery (with acid) : Approx 2.52kg (5.55 lbs)

### MOUNTING ANGLE



### DIMENSIONS

Length (A) : 150±2mm (5.91 in)  
 Width (B) : 87±2mm (3.43 in)  
 Container height : 93±2mm (3.66 in)  
 Total height (C) : 93±2mm (3.66 in)



### TERMINALS

