



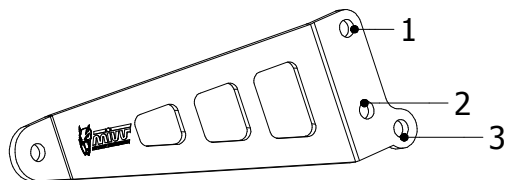
**MODEL** BMW C600 SPORT / C650 GT

**YEAR** 2012-->

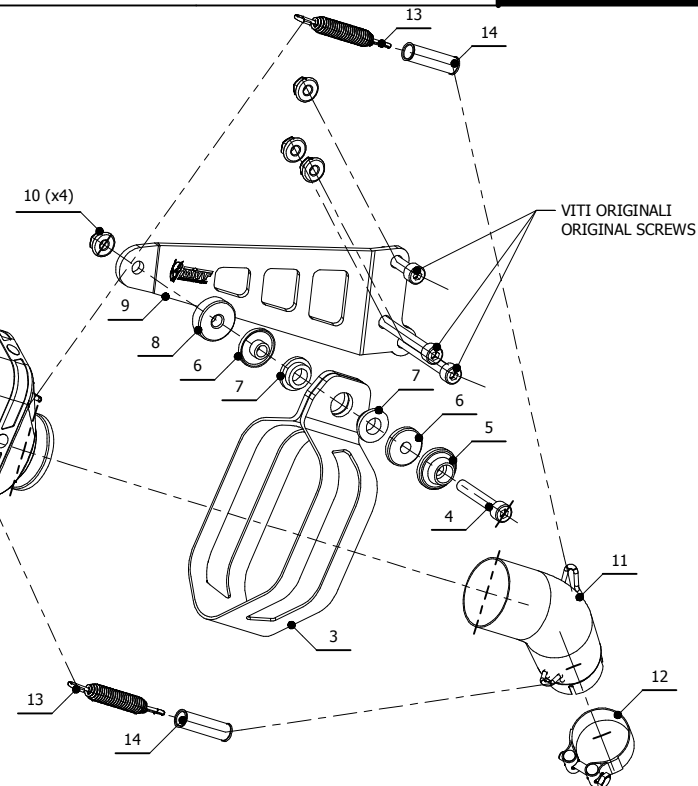
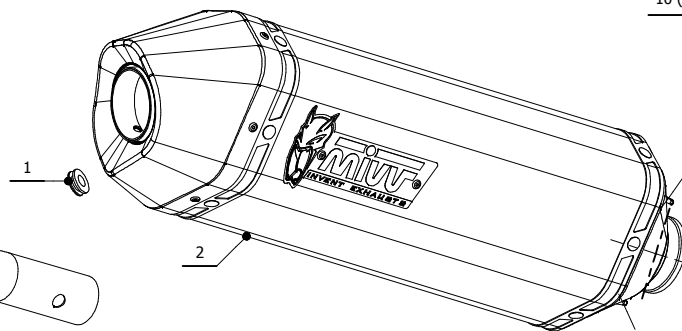
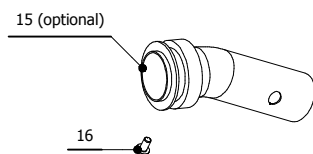
**LINE** SPORT

**MUFFLER** SPEED EDGE

**SCHEMATIC**



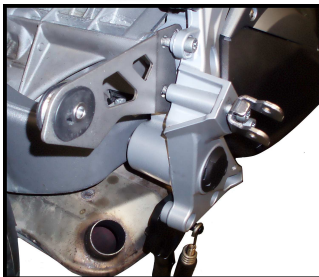
**Note:**  
C600 SPORT use hole : 1-2-3  
C650 GT use hole : 1-3



C 600 SPORT



C 650 GT



**ELENCO PARTI / PARTS LIST**

#	QTÀ / QTY	DESCRIZIONE / DESCRIPTION	CODICE / CODE
1	1	Tappo in gomma / Rubber stopper	50.73.266.1
2	1	Silenziatore / Muffler	SPEED EDGE 350
3	1	Staffa in carbonio / Carbon fiber bracket	50.SS.814.1
4	1	Vite M8x50 / Screw M8x50	50.73.074.1
5	1	Rondella in alluminio nera / Black aluminium washer	50.73.221.1
6	2	Boccola / Bush	50.73.381.1
7	2	Silentblock / Silentblock	50.73.380.1
8	1	Distanziale in alluminio / Aluminium spacer	50.SS.645.1
9	1	Staffa / Bracket	50.SS.696.0
10	4	Dado M8 flangiato / Flanged nut M8	50.73.393.1
11	1	Tubo di raccordo / Link pipe	9773B013SHX
12	1	Fascetta Ø 40/43 mm / Pipe clamp Ø 40/43 mm	50.FA.005.1
13	2	Molla media / Middle spring	50.73.359.1
14	2	Tube in gomma per molla / Rubber pipe for spring	50.73.210.1
*** OPTIONAL PARTS ***			
15	1	Db Killer / Db Killer	50.DK.088.0
16	1	Vite M5 x 8 / Screw M5 x 8	50.73.459.1

**APPLICAZIONI / APPLICATIONS**

CODICE / CODE	TUBO / PIPE	SILENZIATORE / MUFFLER	FASCETTA / CLAMP
B.013.LRX	INOX / ST. STEEL	INOX (COPPE CARBONIO) / ST. STEEL (CARBON CAPS)	CARBONIO / CARBON FIBER
B.013.LRB	INOX / ST. STEEL	STEEL BLACK	CARBONIO / CARBON FIBER