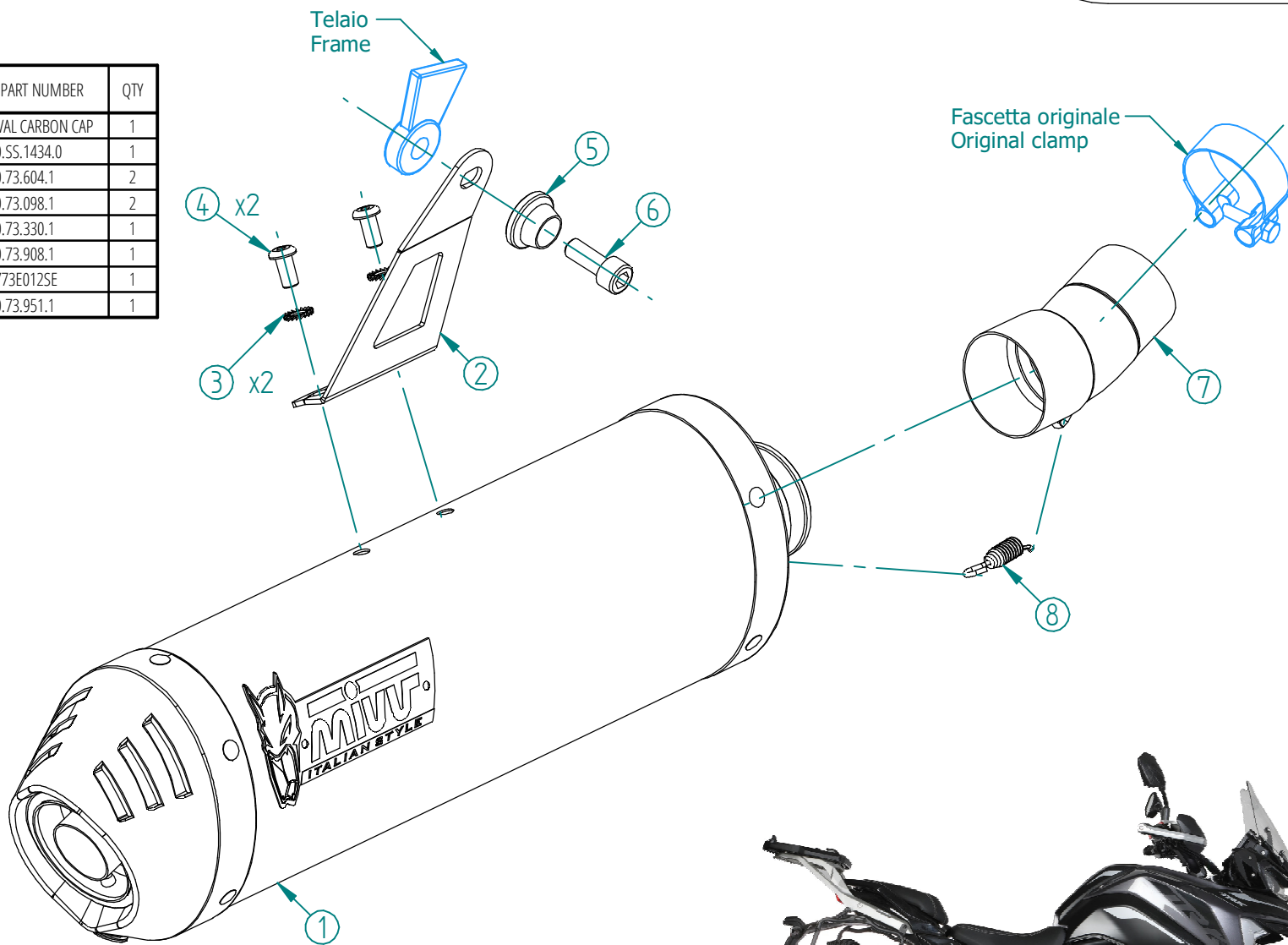


#	DESCRIPTION	PART NUMBER	QTY
1	Silenziatore / Muffler - db killer 50.DK.020.0	OVAL CARBON CAP	1
2	Staffa / Bracket	50.SS.1434.0	1
3	Rondella di sicurezza / Safety washer	50.73.604.1	2
4	Vite M8 x 16 / Screw M8 x 16	50.73.098.1	2
5	Rondella in alluminio nera / Black aluminium washer	50.73.330.1	1
6	Vite M10x25 / Screw M10x25	50.73.908.1	1
7	Tubo di raccordo / Link pipe	9773E012SE	1
8	Molla ultracorta / Ultra-short spring	50.73.951.1	1



### APPLICAZIONI / APPLICATIONS

CODICE / CODE	SILENZIATORE / MUFFLER	FASCETTA / CLAMP	TUBO / PIPE
E.012.LEC	CARBONIO (Coppa carbonio) / CARBON (Carbon cap)	///	INOX / ST. STEEL
E.012.LVC	INOX NERO (Coppa carbonio) / STEEL BLACK (Carbon cap)		
E.012.LXC	INOX (Coppa carbonio) / ST. STEEL (Carbon cap)		