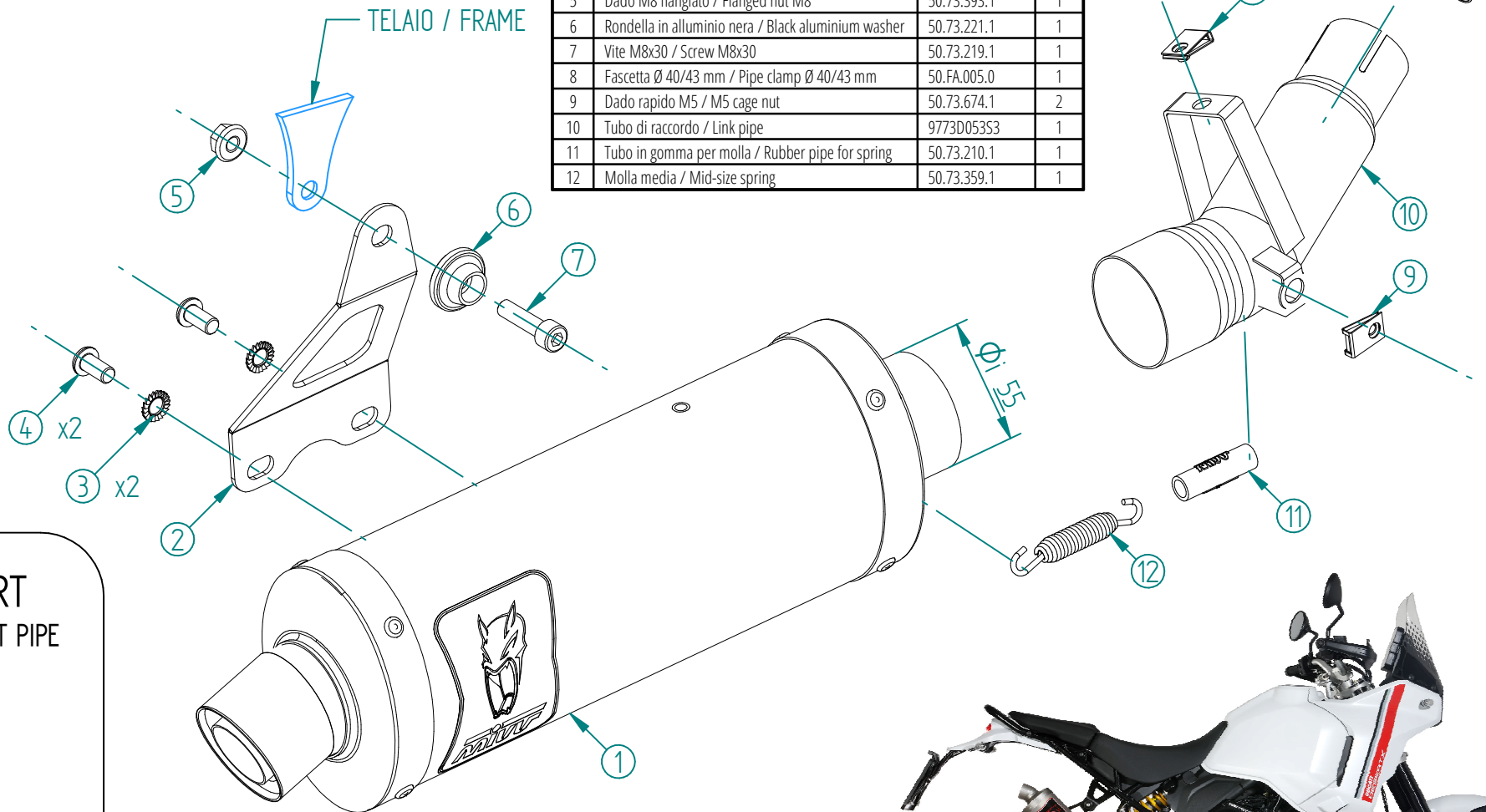


#	DESCRIPTION	PART NUMBER	QTY
1	Silenziatore / Muffler - db killer 50.DK.172.0	DAKAR	1
2	Staffa / Bracket	50.SS.1389.0	1
3	Rondella di sicurezza / Safety washer	50.73.604.1	2
4	Vite M8 x 16 / Screw M8 x 16	50.73.098.1	2
5	Dado M8 flangiato / Flanged nut M8	50.73.393.1	1
6	Rondella in alluminio nera / Black aluminium washer	50.73.221.1	1
7	Vite M8x30 / Screw M8x30	50.73.219.1	1
8	Fascetta Ø 40/43 mm / Pipe clamp Ø 40/43 mm	50.FA.005.0	1
9	Dado rapido M5 / M5 cage nut	50.73.674.1	2
10	Tubo di raccordo / Link pipe	9773D05353	1
11	Tubo in gomma per molla / Rubber pipe for spring	50.73.210.1	1
12	Molla media / Mid-size spring	50.73.359.1	1



OPTIONAL PART
TUBO NO KAT / NO KAT PIPE



00.73.D.048.C1

APPLICAZIONI / APPLICATIONS		
CODICE / CODE	SILENZIATORE / MUFFLER	TUBO / PIPE
D.053.LDKT	TITANIO / TITANIUM	INOX / ST. STEEL

