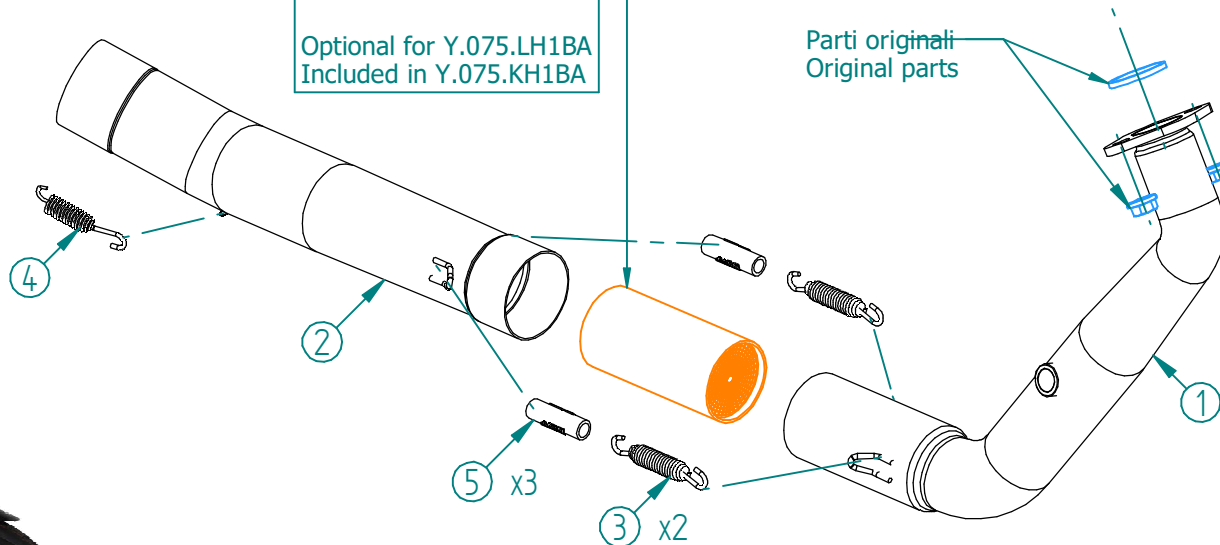


#	DESCRIPTION	PART NUMBER	QTY
1	Tubo collettore / Down pipe	9773Y067S2A	1
2	Tubo di raccordo / Link pipe	9773Y067S2B	1
3	Molla media / Mid-size spring	50.73.359.1	2
4	Molla corta / Short Spring	50.73.123.1	1
5	Tubo in gomma per molla / Rubber pipe for spring	50.73.210.1	3
6	Silenziatore / Muffler - db killer 50.DK.194.0	HR-1 280 Ø55	1
7	Vite M8 x 16 / Screw M8 x 16	50.73.098.1	2
8	Rondella di sicurezza / Safety washer	50.73.604.1	2
9	Dado M8 flangiato / Flanged nut M8	50.73.393.1	1
10	Staffa / Bracket	50.SS.1488.0	1
11	Boccola / Bush	50.73.1078.1	2
12	Rondella in alluminio nera / Black aluminium washer	50.73.221.1	1
13	Vite M8x45 / Screw M8x45	50.73.602.1	1



Catalytic Converter
Cod. ACC.076.A1
Optional for Y.075.LH1BA
Included in Y.075.KH1BA



APPLICAZIONI / APPLICATIONS			
CODICE / CODE	SILENZIATORE / MUFFLER	TUBO / PIPE	NOTE
Y.075.LH1BA	INOX NERO (COPPA ALLUMINIO) / STEEL BLACK (ALUMINIUM CAP)	INOX / ST. STEEL	CATALYTIC CONVERTER NOT INCLUDED
Y.075.KH1BA			CATALYTIC CONVERTER INCLUDED