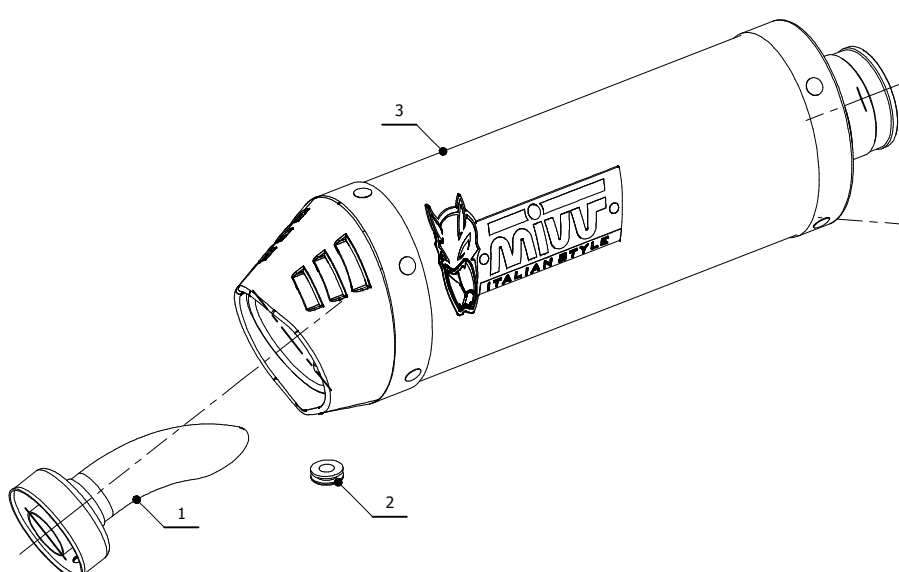
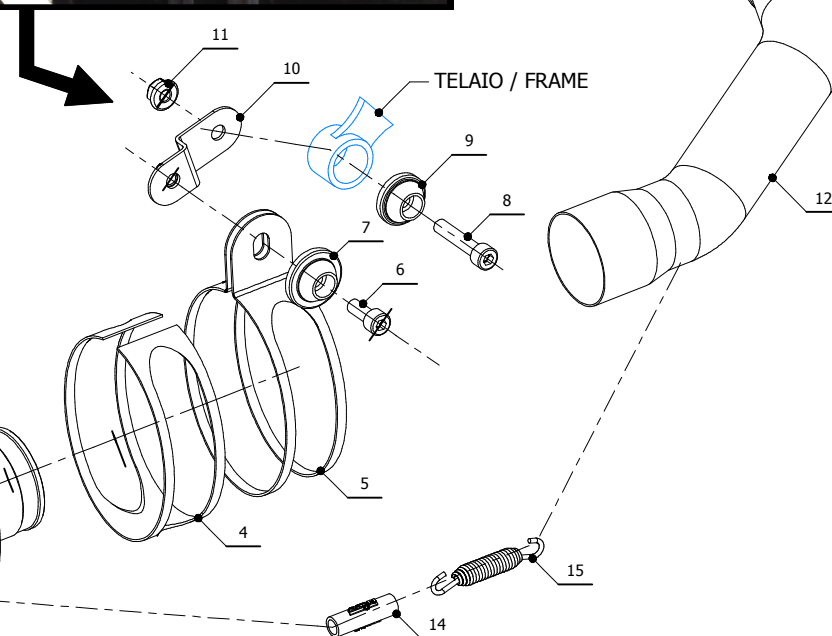




ELENCO PARTI / PARTS LIST

#	QTÀ / QTY	DESCRIZIONE / DESCRIPTION	CODICE / CODE
1	1	DB killer / DB killer	50.DK.092.0
2	1	Tappo in gomma / Rubber stopper	50.73.266.1
3	1	Silenziatore / Muffler	OVAL 300
4	1	Protezione in gomma per staffa / Rubber protection for bracket	50.73.077.1
5	1	Staffa / Bracket	50.SS.030.0
6	1	Vite M8x20 / Screw M8x20	50.73.894.1
7	1	Rondella in alluminio / Aluminium washer	50.73.063.1
8	1	Vite M8x40 / Screw M8x40	50.73.075.1
9	1	Rondella alluminio / Aluminium washer	50.73.291.1
10	1	Staffa / Bracket	50.SS.026.0
11	1	Dado M8 flangiato / Flanged nut M8	50.73.393.1
12	1	Tubo di raccordo / Link pipe	9773KT024S2
13	1	Fascetta Ø 48/51 mm / Pipe clamp Ø 48/51 mm	50.FA.007.1
14	1	Gommino per molla / Rubber for spring	50.73.210.1
15	1	Molla media / Mid-size spring	50.73.359.1



APPLICAZIONI / APPLICATIONS

CODICE / CODE	SILENZIATORE / MUFFLER	TUBO / PIPE	FASCETTA / CLAMP
KT.024.L3C	CARBONIO (COPPA CARBONIO) / CARBON (CARBON CAP)	INOX / ST. STEEL	INOX / ST. STEEL
KT.024.L4C	TITANIO (COPPA CARBONIO) / TITANIUM (CARBON CAP)		