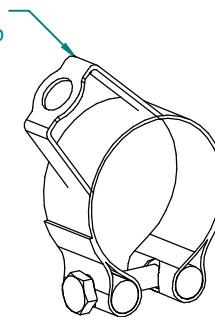
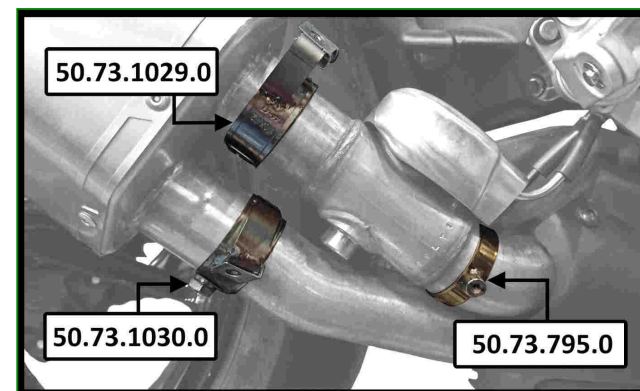
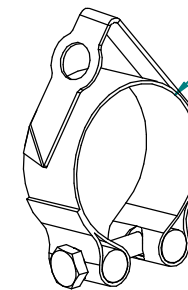


50.73.1029.0
Fascetta superiore / Upper clamp



50.73.1030.0
Fascetta inferiore / Lower clamp



#	DESCRIPTION	PART NUMBER	QTY
1	Silenziatore / Muffler db killer 50.DK.202.0	SR-1.250	1
2	Staffa / Bracket	50.S5.1374.0	1
3	Dado M8 flangiato / Flanged nut M8	50.73.393.1	1
4	Rondella di sicurezza / Safety washer	50.73.604.1	2
5	Vite M8 x 16 / Screw M8 x 16	50.73.098.1	2
6	Dado rapido M5 / M5 cage nut	50.73.674.1	2
7	Fascetta / Clamp	50.73.1029.0	1
8	Fascetta / Clamp	50.73.1030.0	1
9	Fascetta con bussola / Pipe clamp with bush	50.73.795.0	1
10	Cover in carbonio / Carbon cover	50.CR.061.0	1
11	Vite M5 x 8 / Screw M5 x 8	50.73.459.1	3
12	Rondella M5 / Washer M5	50.73.351.1	3

APPLICAZIONI / APPLICATIONS		
CODICE / CODE	SILENZIATORE / MUFFLER	TUBO / PIPE
T.025.LR1T	TITANIO / TITANIUM	///
T.025.LR1TB	TITANIO NERO / BLACK TITANIUM	///